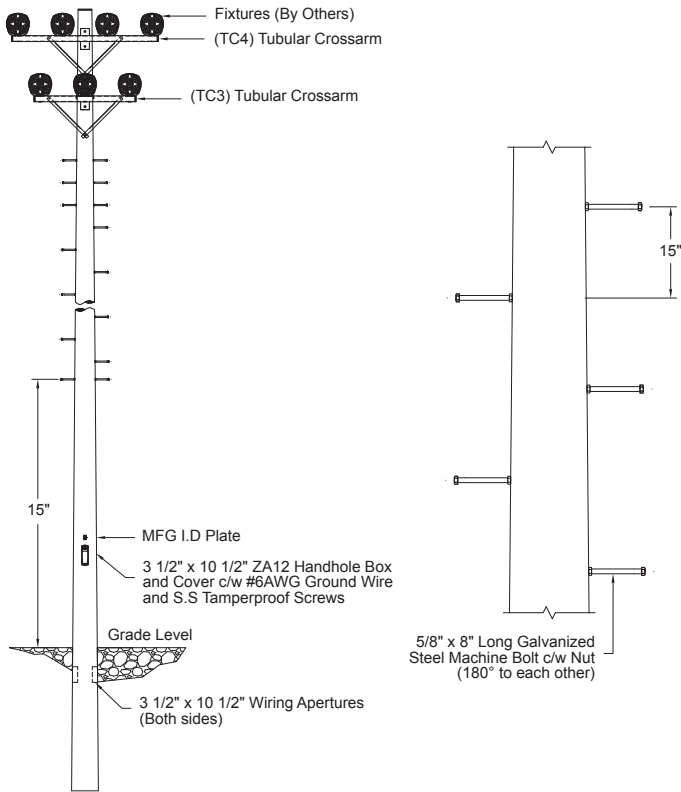


SPORTSLIGHTING POLE ACCESSORIES

PS POLE STEPS

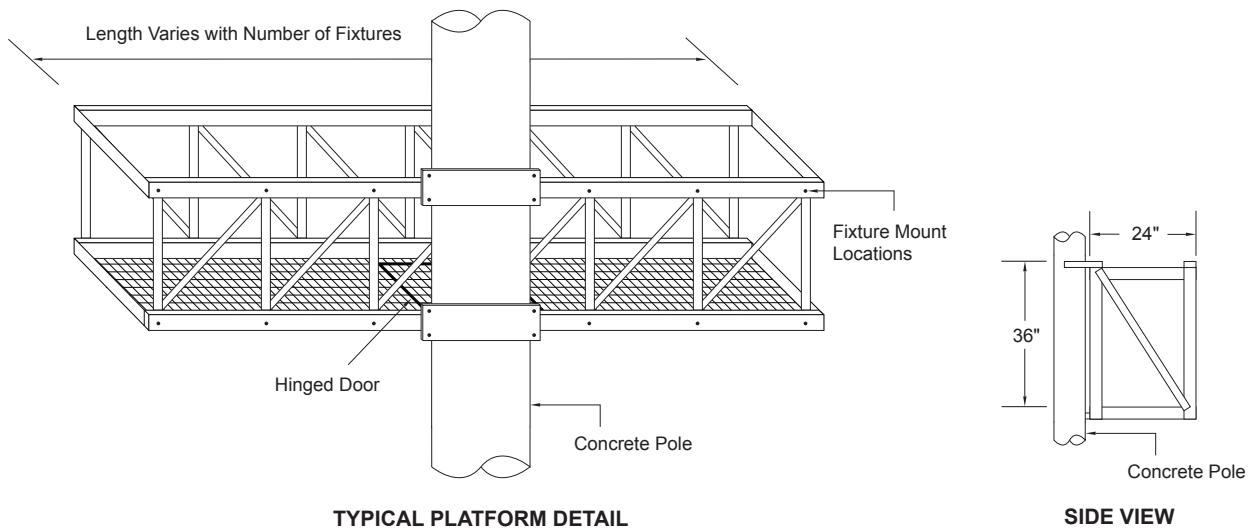


Pole length vs. number of steps

OVERALL POLE LENGTH [ft.]	TOTAL NUMBER OF STEPS
41	16
46	20
52	24
57	28
63	32
68	36
74	40
79	44

NOTE: This number of pole steps is approximate only, as the quantity will vary slightly depending on the configuration of the crossarm mount and burial depth of pole. This should be used as a guideline only.

LP PLATFORMS



TYPICAL PLATFORM DETAIL

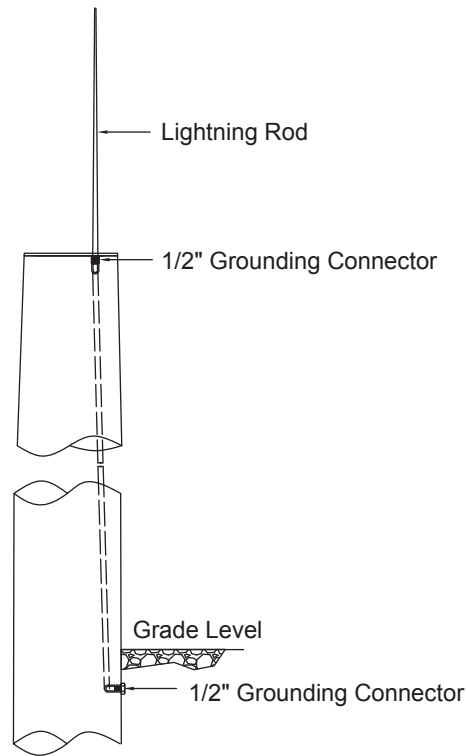
SIDE VIEW



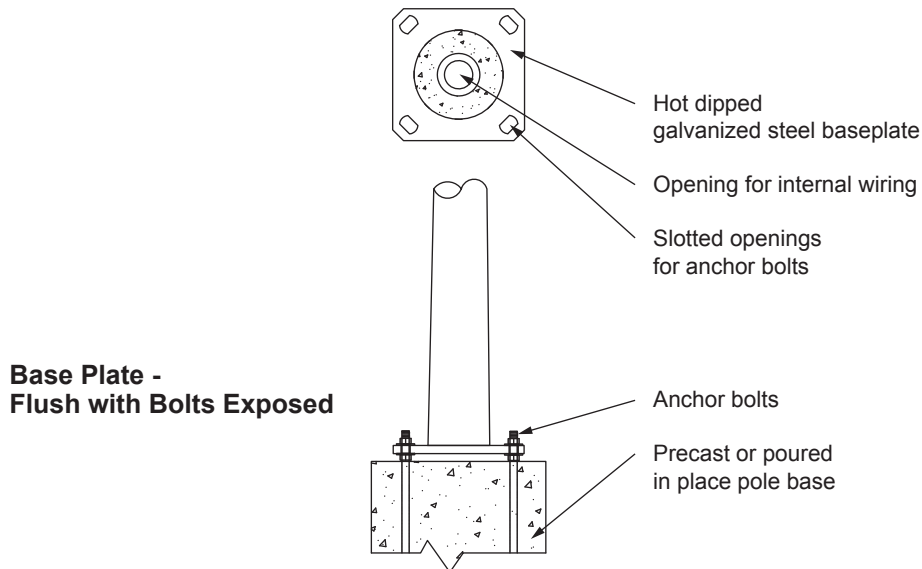
61 BONGARD AVENUE, OTTAWA, ONTARIO CANADA K2E 6V2
 TEL: [613] 225-6398 • FAX: [613] 225-1681 • TOLL FREE: 1-800-267-6466
www.utilitystructures.com

SPORTSLIGHTING POLE ACCESSORIES

LS LIGHTING PROTECTIVE SYSTEM



B BASE MOUNTED



61 BONGARD AVENUE, OTTAWA, ONTARIO CANADA K2E 6V2
TEL: [613] 225-6398 • FAX: [613] 225-1681 • TOLL FREE: 1-800-267-6466
www.utilitystructures.com