

WE



THE WESTMOUNT SERIES

OF CONCRETE POLES



UTILITY STRUCTURES INC.



THE WESTMOUNT SERIES

PHYSICAL DETAILS

- Octagonal tapered symmetrical cross section with flared base.
- Standard taper of 13mm/metre (0.155"/foot).
- Standard mold, etched, exposed or polished finishes are available in a variety of colours.
- Available in heights from 14 feet to 23 feet above grade.
- Will accept a variety of luminaire mounting styles.

WESTMOUNT SPECIFYING CHART

CLASS OF POLE	SPECIFYING POLE CODE [Style-Height-Class]	[A] POLE HEIGHT ABOVE GRADE [ft.]	[B] DIRECT BURIAL LENGTH [ft.]	[C] POLE TIP DIMENSION [in.]	[D] POLE BUTT DIAMETER [in.]	ULTIMATE GROUND LINE MOMENT [ft.lbs.]	NOMINAL POLE WEIGHT [lbs.]
A	WE-190-A	14	5	5 3/8	10	7200	1200
	WE-200-A	15	5	5 1/4	10	7800	1270
	WE-210-A	16	5	5 1/16	10	8400	1335
	WE-220-A	17	5	4 15/16	10	9000	1395
	WE-230-A	18	5	4 3/4	10	9600	1450
	WE-240-A	19	5	4 5/8	10	10200	1500
	WE-250-A	20	5	4 1/2	10	10800	1545
	WE-260-A	21	5	4 5/16	10	11400	1585
	WE-270-A	22	5	4 1/8	10	12000	1620
	WE-280-A	23	5	4	10	12600	1650

NOTES: This chart outlines typical heights and class of poles for this style. Other sizes are available upon request. Pole height above grade based on standard burial depth of 5' 0" for normal soils. Ultimate ground line moment is calculated as follows: Height above grade minus 2 ft. times transverse bending strength.

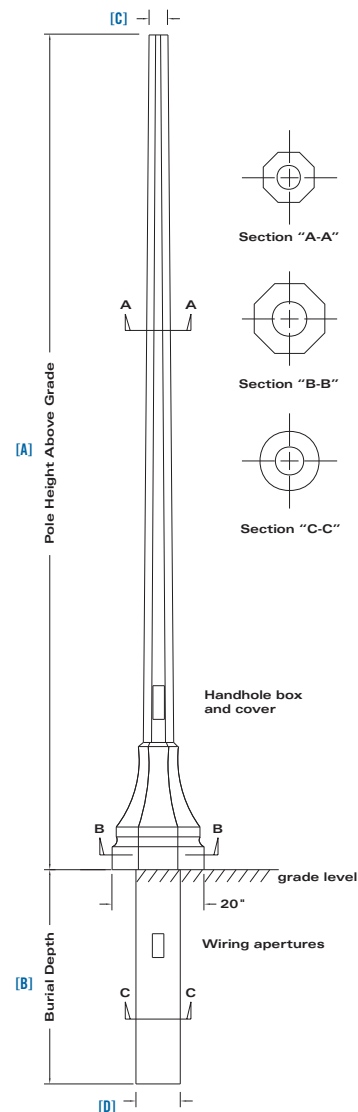


The Westmount Series

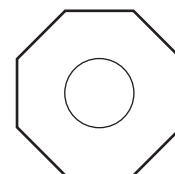


The Westmount Series base detail

TYPICAL POLE DETAIL



CROSS SECTION



OCTAGONAL



61 BONGARD AVENUE, OTTAWA, ONTARIO CANADA K2E 6V2
 TEL: [613] 225-6398 • FAX: [613] 225-1681 • TOLL FREE: 1-800-267-6466
 www.utilitystructures.com

THE WESTMOUNT SERIES

Select SURFACE FINISH

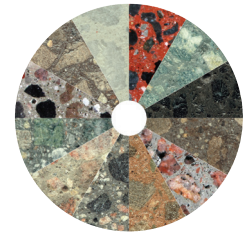
The Westmount Series is available with 4 types of surface finishes.

CODE	DESCRIPTION
1	Mold finish
2	Polished finish
3	Etched finish
4	Exposed finish

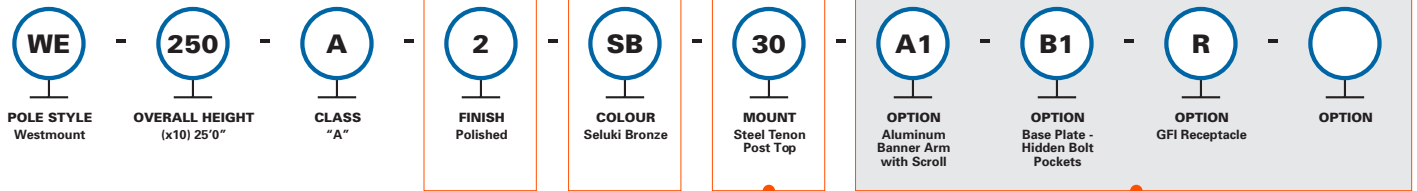
Select COLOUR

The Westmount Series is available in all 12 colours. Please visit our Colours & Finishes section for complete information. Custom colours are available upon request.

CODE	DESCRIPTION	CODE	DESCRIPTION	CODE	DESCRIPTION
AR	Autumn Red	DR	Desert Rose	OJ	Oriental Jade
AJ	Aztec Jade	DS	Desert Sand	SP	Salt & Pepper
BE	Black Eclipse	ML	Midnight Lace	SB	Seluki Bronze
DB	Dark Bronze	NG	Natural Grey	VW	Venetian White



EXAMPLE OF TYPICAL CATALOG NUMBER



Select FIXTURE MOUNT

The Westmount Series is available with 7 fixture mount options.

CODE	DESCRIPTION
10	Side Mounted/Through Bolts
20	Side Mounted/Inserts
30	Steel Tenon/Post Top
40	Concrete Tenon/Post Top
55	Top Mount Octagonal
60	Scroll Arm
90	Custom Mount

Select OPTIONS & ACCESSORIES

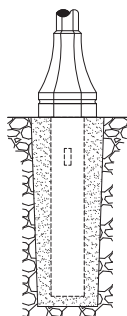
The Westmount Series has 20 standard options and accessories to choose from. Please visit our Options & Accessories section for complete information. Custom accessories are available upon request.

CODE	DESCRIPTION	CODE	DESCRIPTION
A	Aluminum Banner Arm	D2	Double Handhole Box with Inline Breaker
A1	Aluminum Banner Arm with Scroll	F	Fin Cap - Octagonal
A2	Aluminum Banner Arm with Flower Pot Holder	H	Flag Holder
A3	Aluminum Banner Arm with Scroll and Flower Pot Holder	L	Ladder Rest
A4	Aluminum Breakaway Banner Arm	L1	Ladder Rest with Scroll
B	Base Plate - Flush with Bolts Exposed	P	Interior Corrosion Protection
B1	Base Plate - Hidden Bolt Pockets	R	GFI Receptacle
B2	Base Plate - Below Grade Stub	S	Base Shroud - Square
C	Custom Accessory	S1	Base Shroud - Round
D	Double Handhole Box	X	Exterior Silane Sealer

FOOTING DETAILS

DIRECT BURIAL

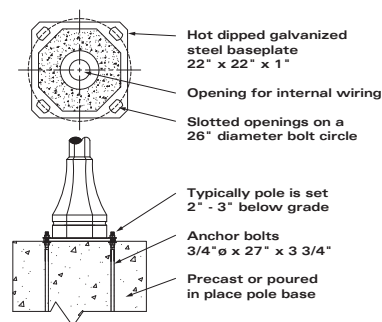
Standard and Cost Effective



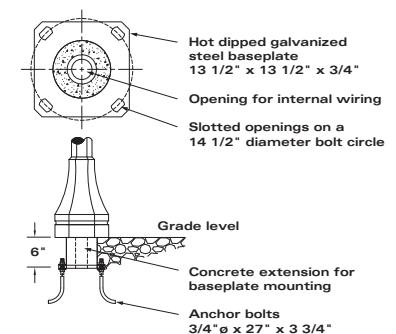
1. Auger the appropriate size hole.
2. Set pole in hole and plumb straight.
3. Backfill with specified material, tamping every 6".

Note: Generally the native material can be used for backfill. Depending on site conditions, alternative materials may be required.

OPTION B Base Plate - Flush with Bolts Exposed

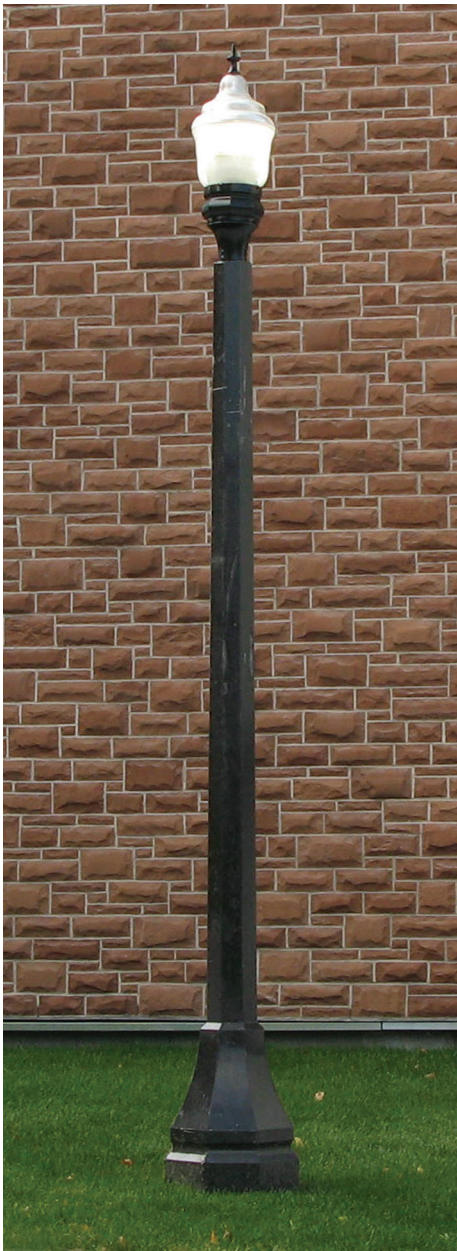


OPTION B2 Base Plate - Below Grade Stub



61 BONGARD AVENUE, OTTAWA, ONTARIO CANADA K2E 6V2
 TEL: [613] 225-6398 • FAX: [613] 225-1681 • TOLL FREE: 1-800-267-6466
 www.utilitystructures.com





THE WESTMOUNT SERIES

OF CONCRETE POLES



UTILITY STRUCTURES INC.

61 BONGARD AVENUE, OTTAWA, ONTARIO CANADA K2E 6V2
TEL: [613] 225-6398 • FAX: [613] 225-1681 • TOLL FREE: 1-800-267-6466
www.utilitystructures.com