

OX



THE OXFORD SERIES

OF CONCRETE POLES



UTILITY STRUCTURES INC.



THE OXFORD SERIES

PHYSICAL DETAILS

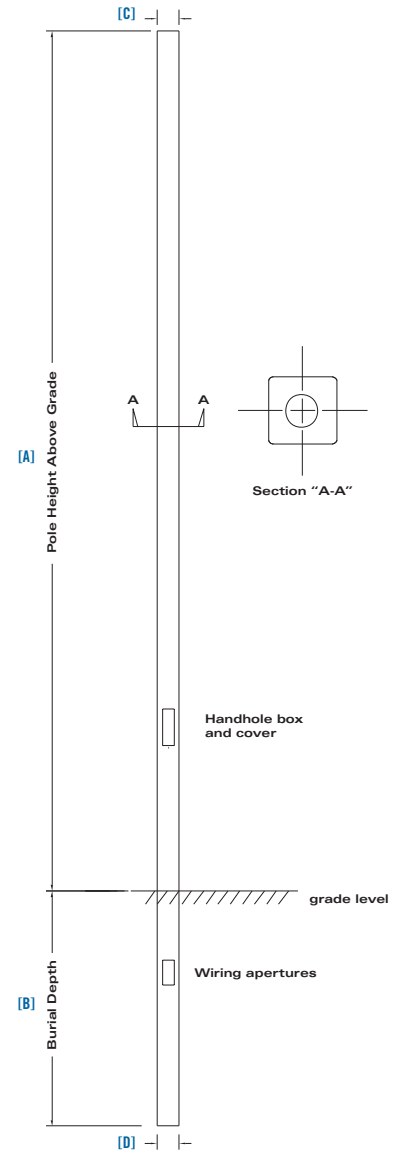
- Square non-tapered (rounded edge) symmetrical cross section.
- 5 1/2 inch flat to flat cross section
- Standard mold, etched, exposed or polished finishes are available in a variety of colours.
- Available in heights from 8 1/2 feet to 25 feet above grade.
- Will accept a variety of luminaire mounting styles.
- Light Duty Pole

OXFORD SPECIFYING CHART

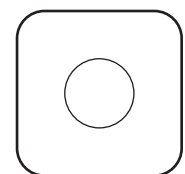
CLASS OF POLE	SPECIFYING POLE CODE [Style-Height-Class]	[A] POLE HEIGHT ABOVE GRADE [ft.]	[B] DIRECT BURIAL LENGTH [ft.]	[C] POLE TIP DIMENSION [in.]	[D] POLE BUTT DIAMETER [in.]	ULTIMATE GROUND LINE MOMENT [ft.lbs.]	NOMINAL POLE WEIGHT [lbs.]
AL	OX-125-AL	8 1/2	4	5 1/2	5 1/2	3900	350
	OX-150-AL	11	4	5 1/2	5 1/2	5400	480
	OX-175-AL	13 1/2	4	5 1/2	5 1/2	6900	610
	OX-200-AL	15	5	5 1/2	5 1/2	7800	740
	OX-225-AL	17 1/2	5	5 1/2	5 1/2	9300	870
	OX-250-AL	20	5	5 1/2	5 1/2	10800	1000
	OX-275-AL	22 1/2	5	5 1/2	5 1/2	12300	1130
OX-300-AL	25	5	5 1/2	5 1/2	13800	1270	

NOTES: This chart outlines typical heights and class of poles for this style. Other sizes are available upon request. Pole height above grade based on standard burial depth of 5' 0" for normal soils. Ultimate ground line moment is calculated as follows: Height above grade minus 2 ft. times transverse bending strength. **Tip and butt dimensions are measured from flat to flat.**

TYPICAL POLE DETAIL



CROSS SECTION



SQUARE



The Oxford Series



The Oxford Series base detail



61 BONGARD AVENUE, OTTAWA, ONTARIO CANADA K2E 6V2
 TEL: [613] 225-6398 • FAX: [613] 225-1681 • TOLL FREE: 1-800-267-6466
 www.utilitystructures.com



THE OXFORD SERIES

Select SURFACE FINISH

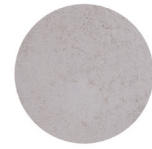
The Oxford Series is available with 4 types of surface finishes.

CODE	DESCRIPTION
1	Mold finish (standard)
2	Polished finish
3	Etched finish
4	Exposed finish

Select COLOUR

The Oxford Series is available in all 12 colours. Please visit our Colours & Finishes section for complete information. Custom colours are available upon request.

CODE	DESCRIPTION	CODE	DESCRIPTION	CODE	DESCRIPTION
AR	Autumn Red	DR	Desert Rose	OJ	Oriental Jade
AJ	Aztec Jade	DS	Desert Sand	SP	Salt & Pepper
BE	Black Eclipse	ML	Midnight Lace	SB	Seluki Bronze
DB	Dark Bronze	NG	Natural Grey	VW	Venetian White



Plain Grey (PG) mold finish (1) is standard for all our poles.

CODE	DESCRIPTION
PG	Plain Grey (Standard)

EXAMPLE OF TYPICAL CATALOG NUMBER



Select FIXTURE MOUNT

The Oxford Series is available with 5 fixture mount options.

CODE	DESCRIPTION
10	Side Mounted/Through Bolts
20	Side Mounted/Inserts
30	Steel Tenon/Post Top
60	Scroll Arm
90	Custom Mount

Select OPTIONS & ACCESSORIES

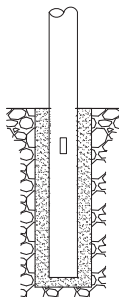
The Oxford Series has 16 standard options and accessories to choose from. Please visit our Options & Accessories section for complete information. Custom accessories are available upon request.

CODE	DESCRIPTION	CODE	DESCRIPTION
A	Aluminum Banner Arm	D2	Double Handhole Box with Inline Breaker
A1	Aluminum Banner Arm with Scroll	H	Flag Holder
A2	Aluminum Banner Arm with Flower Pot Holder	L	Ladder Rest
A3	Aluminum Banner Arm with Scroll and Flower Pot Holder	L1	Ladder Rest with Scroll
A4	Aluminum Breakaway Banner Arm	P	Interior Corrosion Protection
B	Base Plate - Flush with Bolts Exposed	R	GFI Receptacle
C	Custom Accessory	S	Base Shroud - Square
D	Double Handhole Box	X	Exterior Silane Sealer

FOOTING DETAILS

DIRECT BURIAL

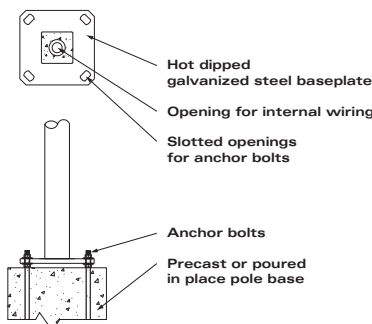
Standard and Cost Effective



1. Auger the appropriate size hole.
2. Set pole in hole and plumb straight.
3. Backfill with specified material, tamping every 6".

Note: Generally the native material can be used for backfill. Depending on site conditions, alternative materials may be required.

OPTION B Base Plate - Flush with Bolts Exposed



61 BONGARD AVENUE, OTTAWA, ONTARIO CANADA K2E 6V2
 TEL: [613] 225-6398 • FAX: [613] 225-1681 • TOLL FREE: 1-800-267-6466
www.utilitystructures.com



THE OXFORD SERIES

OF CONCRETE POLES



UTILITY STRUCTURES INC.

61 BONGARD AVENUE, OTTAWA, ONTARIO CANADA K2E 6V2
TEL: [613] 225-6398 • FAX: [613] 225-1681 • TOLL FREE: 1-800-267-6466
www.utilitystructures.com

Actual product may vary from colours shown in photos. All information accurate at time of printing. Utility Structures Inc. is the owner and/or authorized user of all trademarks and logos. E.&O.E. Subject to change without notice. Printed in Canada. ©2017

