

AS



THE ASTORIA SERIES

OF CONCRETE POLES



UTILITY STRUCTURES INC.



THE ASTORIA SERIES

PHYSICAL DETAILS

- Eight fluted symmetrical cross section.
- Standard taper of 15mm/metre (0.18"/foot).
- Standard mold, etched, exposed finishes are available in a variety of colours.
- Available in heights from 10 feet to 30 feet above grade.
- Will accept a variety of luminaire mounting styles.

ASTORIA SPECIFYING CHART

CLASS OF POLE	SPECIFYING POLE CODE [Style-Height-Class]	[A] POLE HEIGHT ABOVE GRADE [ft.]	[B] DIRECT BURIAL LENGTH [ft.]	[C] POLE TIP DIMENSION [in.]	[D] POLE BUTT DIAMETER [in.]	ULTIMATE GROUND LINE MOMENT [ft.lbs.]	NOMINAL POLE WEIGHT [lbs.]
A	AS-150-A	10	5	4 3/4	8 11/16	4800	715
	AS-175-A	12 1/2	5	4 3/4	9 1/8	6300	840
	AS-200-A	15	5	4 3/4	9 5/8	7800	925
	AS-225-A	17 1/2	5	4 3/4	10	9300	1076
B	AS-250-B	20	5	4 3/4	10 1/2	16200	1320
	AS-275-B	22 1/2	5	4 3/4	10 15/16	18450	1520
	AS-300-B	25	5	4 3/4	11 3/8	20700	1730
	AS-325-B	27 1/2	5	4 3/4	11 7/8	22950	1970
	AS-350-B	30	5	4 3/4	12 5/16	25200	2215
C	AS-275-C	22 1/2	5	6	10 15/16	24600	1570
	AS-300-C	25	5	6	11 3/8	27600	1780
	AS-325-C	27 1/2	5	6	11 7/8	30600	2025
	AS-350-C	30	5	6	12 5/16	33600	2270

NOTES: This chart outlines typical heights and class of poles for this style. Other sizes are available upon request. Pole height above grade based on standard burial depth of 5' 0" for normal soils. Ultimate ground line moment is calculated as follows: Height above grade minus 2 ft. times transverse bending strength. Tip dimensions are measured from flat to flat.

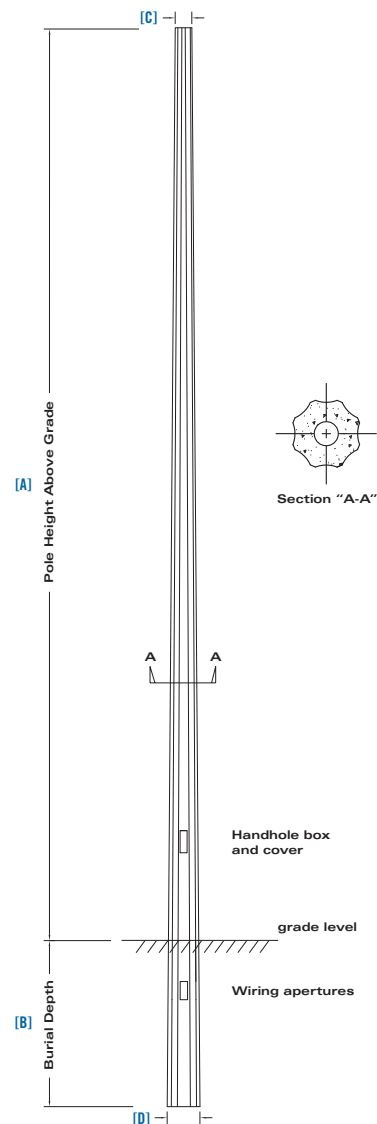


The Astoria Series

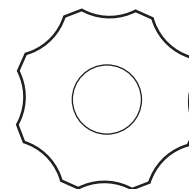


The Astoria Series base detail

TYPICAL POLE DETAIL



CROSS SECTION



FLUTED



61 BONGARD AVENUE, OTTAWA, ONTARIO CANADA K2E 6V2
 TEL: [613] 225-6398 • FAX: [613] 225-1681 • TOLL FREE: 1-800-267-6466
www.utilitystructures.com



THE ASTORIA SERIES

Select SURFACE FINISH

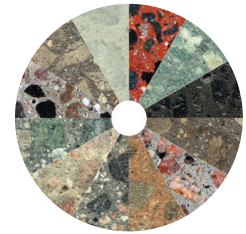
The Astoria Series is available with 3 types of surface finishes.

CODE	DESCRIPTION
1	Mold finish
N/A	Polished finish
3	Etched finish
4	Exposed finish

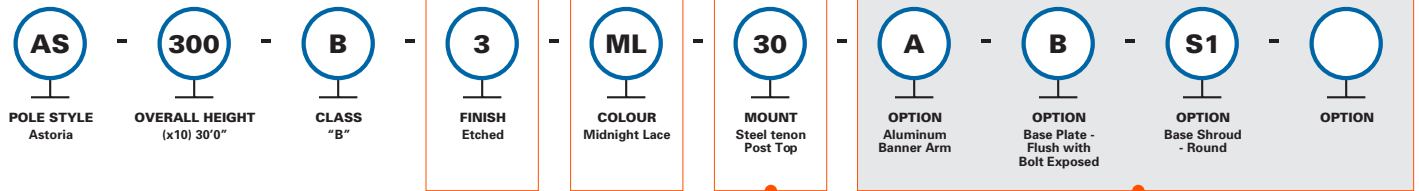
Select COLOUR

The Astoria Series is available in all 12 colours. Please visit our Colours & Finishes section for complete information. Custom colours are available upon request.

CODE	DESCRIPTION	CODE	DESCRIPTION	CODE	DESCRIPTION
AR	Autumn Red	DR	Desert Rose	OJ	Oriental Jade
AJ	Aztec Jade	DS	Desert Sand	SP	Salt & Pepper
BE	Black Eclipse	ML	Midnight Lace	SB	Seluki Bronze
DB	Dark Bronze	NG	Natural Grey	VW	Venetian White



EXAMPLE OF TYPICAL CATALOG NUMBER



Select FIXTURE MOUNT

The Astoria Series is available with 6 fixture mount options.

CODE	DESCRIPTION
10	Side Mounted/Through Bolts
20	Side Mounted/Inserts
30	Steel Tenon/Post Top
60	Scroll Arm
80	Camera Mount
90	Custom Mount

Select OPTIONS & ACCESSORIES

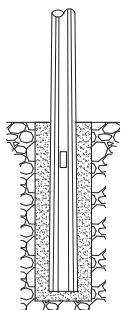
The Astoria Series has 18 standard options and accessories to choose from. Please visit our Options & Accessories section for complete information. Custom accessories are available upon request.

CODE	DESCRIPTION	CODE	DESCRIPTION
A	Aluminum Banner Arm	F	Fin Cap - Octagonal
A1	Aluminum Banner Arm with Scroll	H	Flag Holder
A2	Aluminum Banner Arm with Flower Pot Holder	L	Ladder Rest
A3	Aluminum Banner Arm with Scroll and Flower Pot Holder	L1	Ladder Rest with Scroll
A4	Aluminum Breakaway Banner Arm	P	Interior Corrosion Protection
B	Base Plate - Flush with Bolts Exposed	R	GFI Receptacle
C	Custom Accessory	S	Base Shroud - Square
D	Double Handhole Box	S1	Base Shroud - Round
D2	Double Handhole Box with Inline Breaker	X	Exterior Silane Sealer

FOOTING DETAILS

DIRECT BURIAL

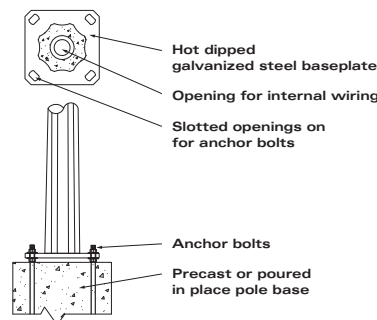
Standard and Cost Effective



1. Auger the appropriate size hole.
2. Set pole in hole and plumb straight.
3. Backfill with specified material, tamping every 6".

Note: Generally the native material can be used for backfill. Depending on site conditions, alternative materials may be required.

OPTION B Base Plate - Flush with Bolts Exposed



61 BONGARD AVENUE, OTTAWA, ONTARIO CANADA K2E 6V2
 TEL: [613] 225-6398 • FAX: [613] 225-1681 • TOLL FREE: 1-800-267-6466
www.utilitystructures.com



THE ASTORIA SERIES

OF CONCRETE POLES



UTILITY STRUCTURES INC.

61 BONGARD AVENUE, OTTAWA, ONTARIO CANADA K2E 6V2
TEL: [613] 225-6398 • FAX: [613] 225-1681 • TOLL FREE: 1-800-267-6466
www.utilitystructures.com

Actual product may vary from colours shown in photos. All information accurate at time of printing. Utility Structures Inc. is the owner and/or authorized user of all trademarks and logos. E.&O.E. Subject to change without notice. Printed in Canada. ©2017

