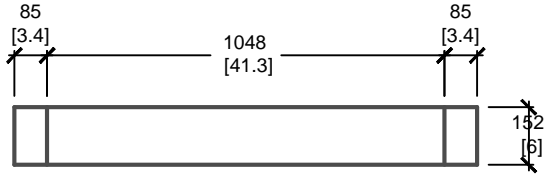


PRODUCT  
CODES

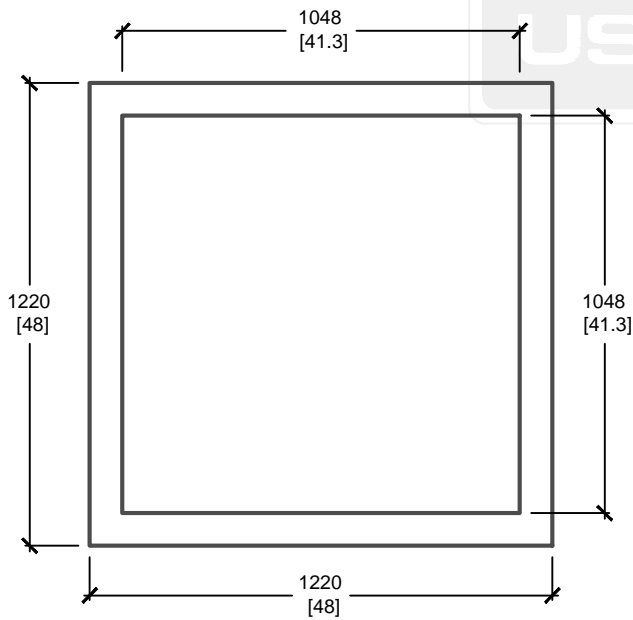
S-7(6)



S-7(12)

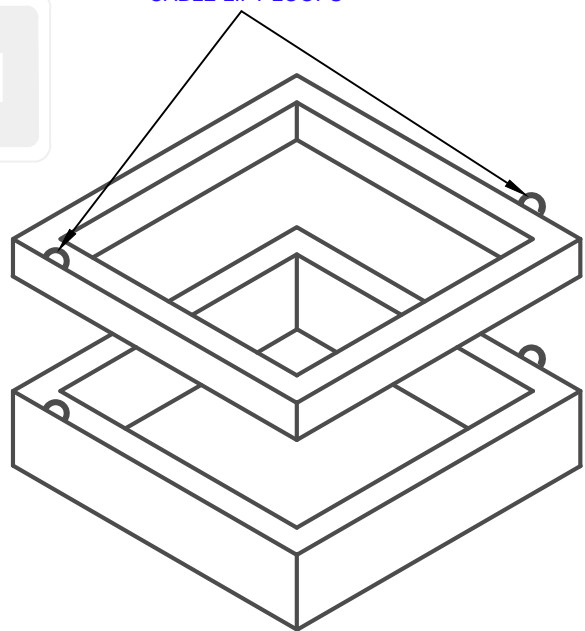


ELEVATION



PLAN VIEW

CABLE LIFT LOOPS



ISOMETRIC VIEW

mm  
[inches]  
ALL DIMENSIONS DEFAULT TO MILLIMETRES



**UTILITY STRUCTURES INC.**

61 BONGARD AVE | OTTAWA, ON | K2E 6V2  
T: 613.225.6398 F: 613.225.1681 TF: 800.267.6466

[www.utilitystructures.com](http://www.utilitystructures.com)

CONSTRUCTION DETAILS:

• USED FOR E1, E1B.

- CSA 23.4-05
- 35 MPa (5000psi) AT 28 DAYS
- STRIPPING STRENGTH: MIN. 20 MPa(2900psi)
- 5-8% AIR ENTRAINED
- EXPOSURE CLASS: C-1
- REINFORCING: STEEL TO CSA CAN A23.1

PRODUCT CODE:

**S-7**

48" x 48" ADJUSTER

DIMENSIONS:

**1200mm x 1220mm [O.D.]**

TOTAL WEIGHT:

**VARIES**

REVISION DATE:

**SEPTEMBER 13, 2017**

REV. # 3