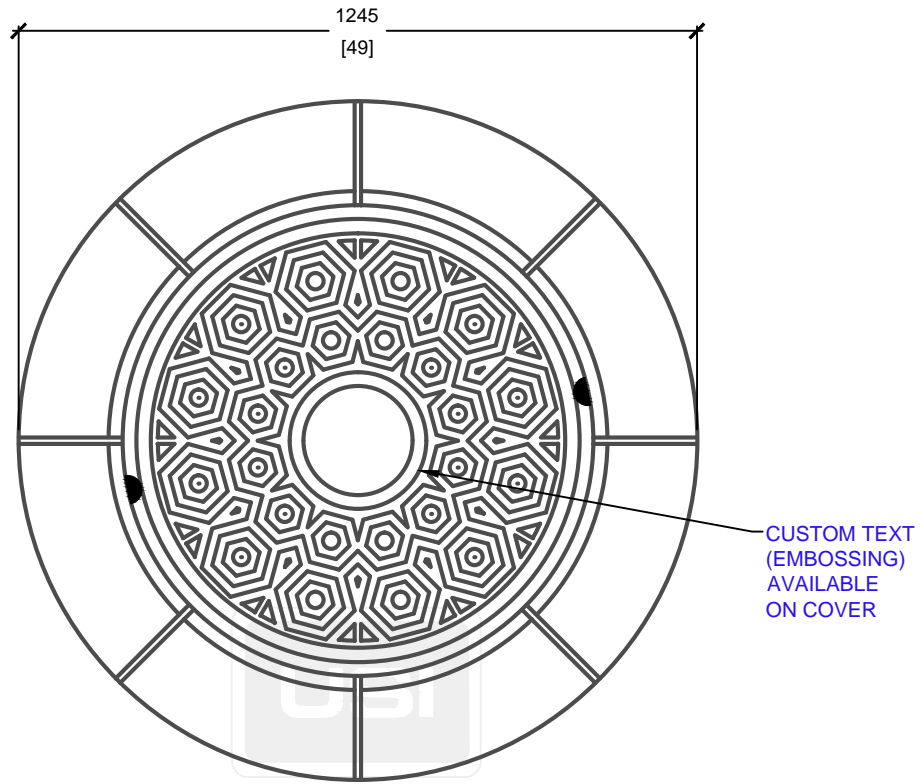
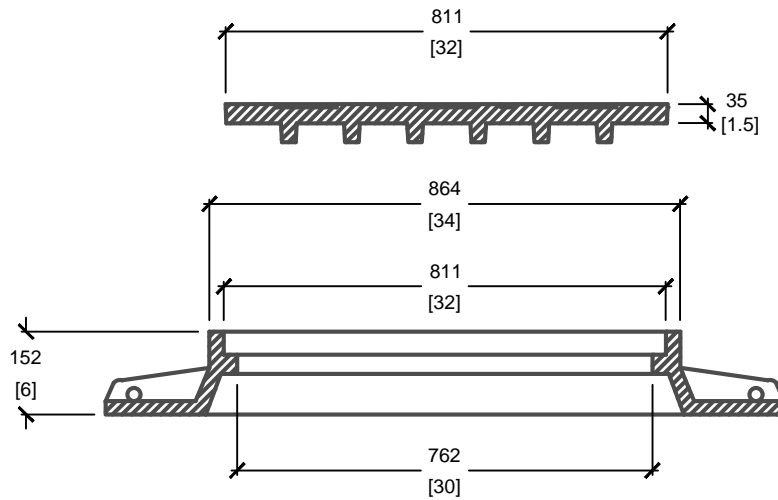


0.15m x 810mm [6" x 32"]
ELECTRICAL FRAME AND COVER



PLAN VIEW



SIDE ELEVATION

mm
[Inches]
ALL DIMENSIONS DEFAULT TO MILLIMETRES



UTILITY STRUCTURES INC.

61 BONGARD AVE | OTTAWA, ON | K2E 6V2
T: 613.225.6398 F: 613.225.1681 TF: 800.267.6466

www.utilitystructures.com

CONSTRUCTION DETAILS:

- CAST IRON FRAME & COVER
- CUSTOM TEXT EMBOSSED AVAILABLE
- CUSTOM LOGO EMBOSSED AVAILABLE

- FOR USE ON: E-26, E-35, E-36, E-37, E-38, E-39 & E-812

PRODUCT CODE:

F-5

ROUND FRAME & ROUND COVER

DIMENSIONS:

0.15m(H) x 811mm DIA.

TOTAL WEIGHT:

320 kg / 705 lbs

REVISION DATE:

SEPTEMBER 12, 2017

REV. # 6