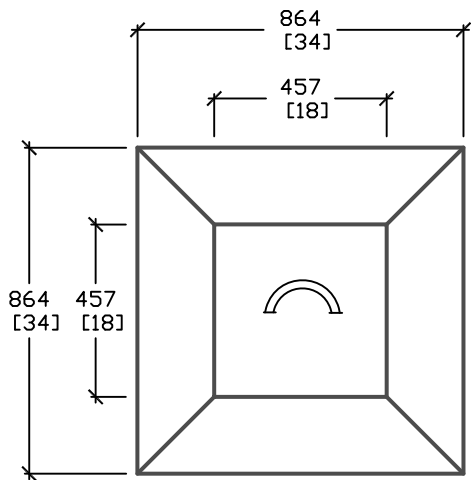
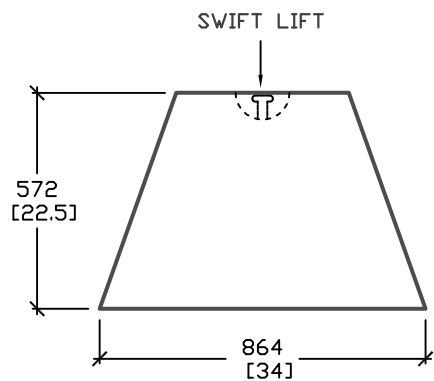


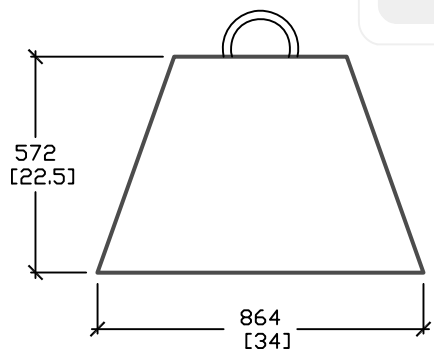
NOTE:
TWO LIFTING OPTIONS ARE AVAILABLE. A GALVANIZED HOOK OR A SWIFT LIFT SYSTEM



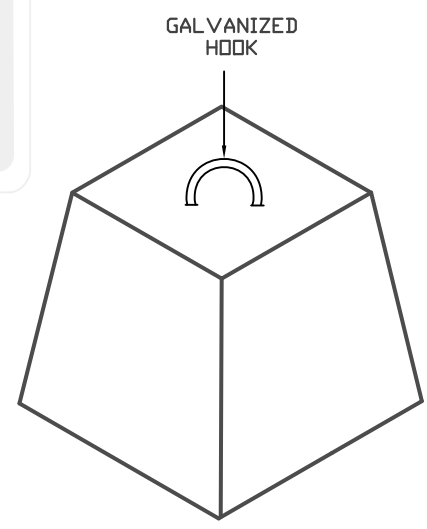
PLAN VIEW



SIDE ELEVATION



SIDE ELEVATION



ISOMETRIC

ALL DIMENSIONS DEFAULT TO MILLIMETERS

mm
[in.]



61 BONGARD AVE
OTTAWA, ON,
PH: 800.267.6466
FAX: 613.225.1681

www.utilitystructures.com

NOTES:

TEMPORARY REMOVABLE BASE
STEEL REINFORCED

*CSA 23.4-05
35MPa (5000psi) AT 28 DAYS
6-8% AIR ENTRAINED

REV.#	MM/DD/YYYY	PREP.

E-96

PROTECTIVE BASE

WEIGHT = 580kg/1278lbs

.57m (H) x 864mm x 864mm