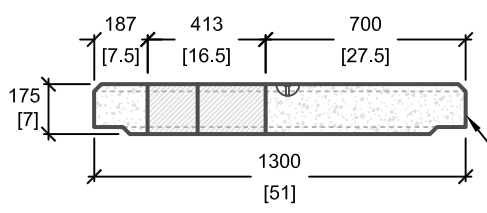
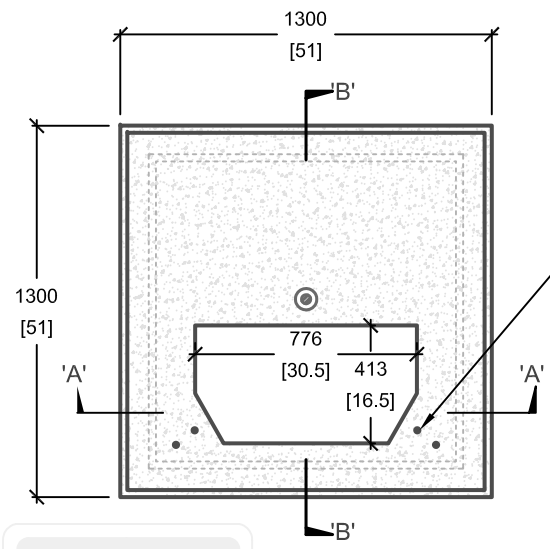
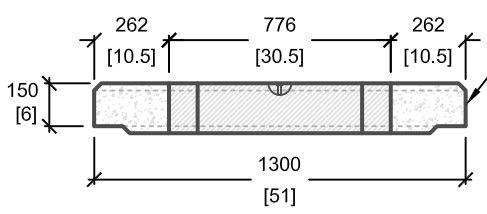


LOAD REQUIREMENTS	
DISTRIBUTED LATERAL LOAD	25kN/m
TOP SLAB DISTRIBUTED LOAD	60kN/m
TOP SLAB POINT LOAD	70kN/m

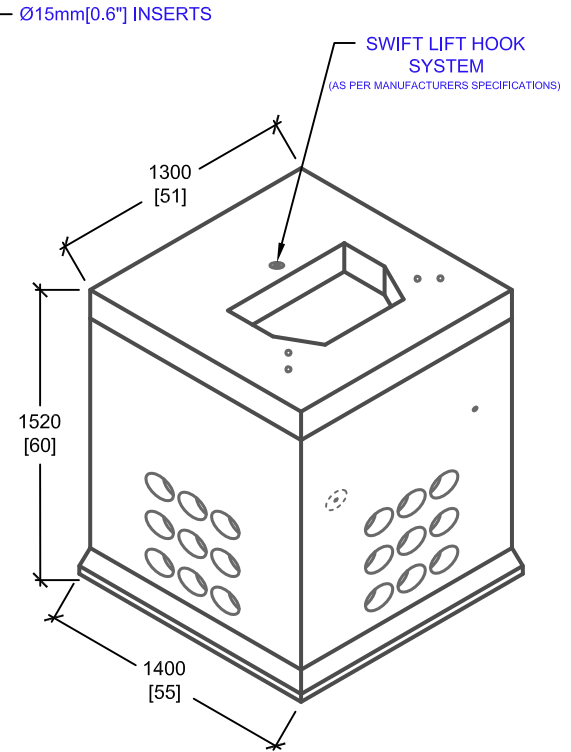


**CROSS SECTION 'B'**

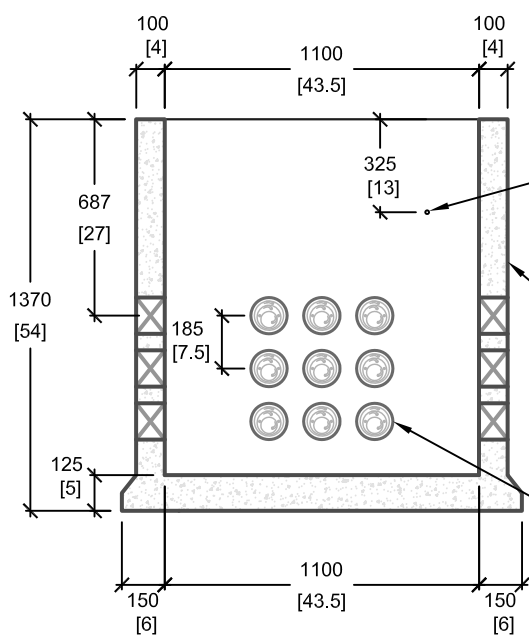
**E7 PAD**



**PLAN VIEW**

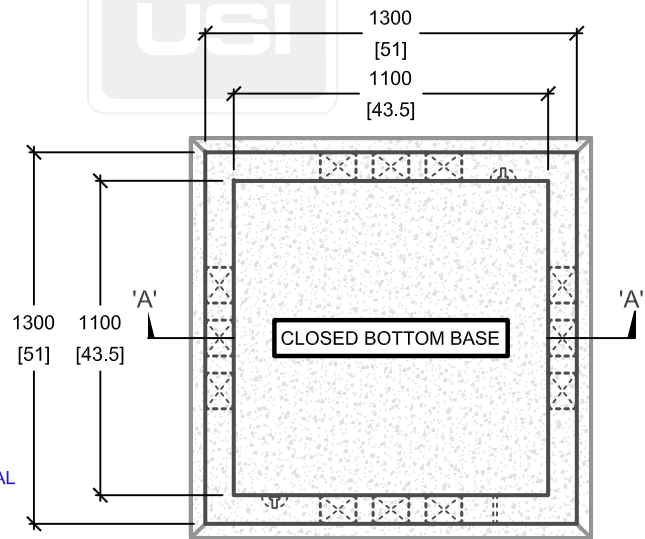


**ISOMETRIC VIEW**



**CROSS SECTION 'A'**

**E6B BASE**



mm [Inches]  
ALL DIMENSIONS DEFAULT TO MILLIMETRES



**UTILITY STRUCTURES INC.**  
61 BONGARD AVE | OTTAWA, ON | K2E 6V2  
T: 613.225.6398 F: 613.225.1681 TF: 800.267.6466  
[www.utilitystructures.com](http://www.utilitystructures.com)

- CONSTRUCTION DETAILS:**
- AS PER UTILITIES KINGSTON K03-03-124
  - E-6B BASE AND E-7 PAD ASSEMBLED
- CSA 23.4-05
- 35 MPa (5000psi) AT 28 DAYS
  - STRIPPING STRENGTH: MIN. 20 MPa(2900psi)
  - 5-8% AIR ENTRAINED
  - EXPOSURE CLASS: C-1
  - REINFORCING: STEEL TO CSA CAN A23.1

- PRODUCT DETAILS:**
- (4) 127mm[5"] POLYLOK PIPESEAL WINDOWS (9 POLYLOKS PER WINDOW)
  - SINGLE PHASE BASE 25kVA TO 167kVA
  - OPEN BOTTOM HYDRO OTTAWA VERSION AVAILABLE (DWG# E-6)
  - (4) 15mm[0.6"] INSERTS IN E-7 PAD
  - PAD OPENING: 776mm[30.5"] x 413mm[16"]
  - CUSTOM OPTIONS AVAILABLE:
  - CUSTOM WINDOWS & OPENINGS

<b>PRODUCT CODE:</b>	
<b>E-6B<sup>c</sup> / E-7<sup>w</sup></b>	
SINGLE PHASE TRANSFORMER BASE	
<b>OUTSIDE DIMENSIONS:</b>	
<b>1.52m(H) x 1300mm x 1300mm</b>	
<b>TOTAL WEIGHT:</b>	
<b>2,180 kg / 4,800 lbs</b>	
<b>REVISION DATE:</b>	<b>SEPTEMBER 15, 2017</b>
	<b>REV. # 3</b>