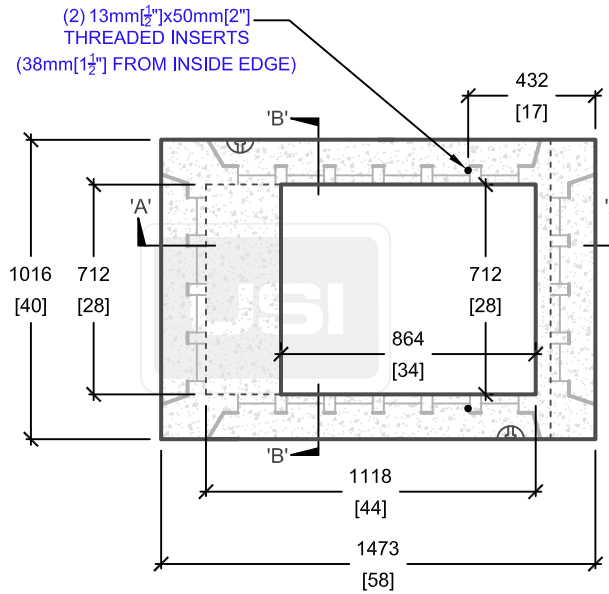
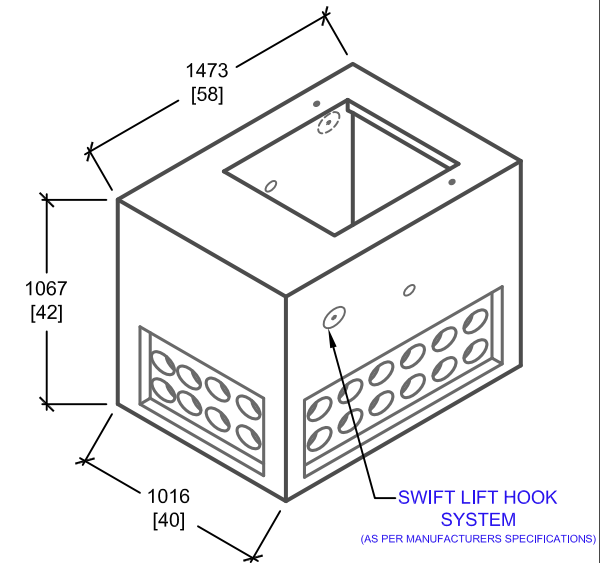


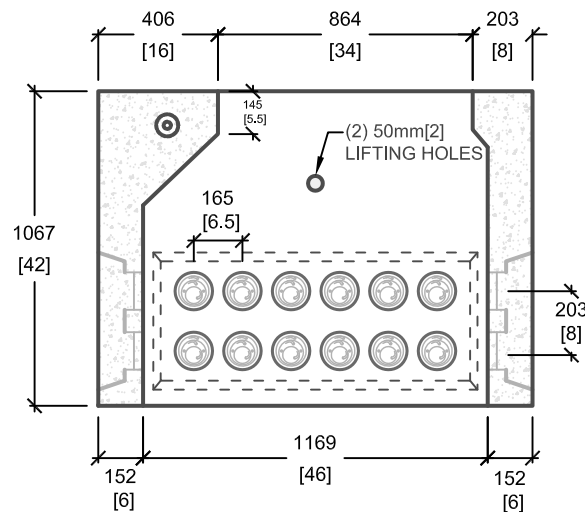
CROSS SECTION 'B'



PLAN VIEW



ISOMETRIC VIEW



CROSS SECTION 'A'

mm
[Inches]
ALL DIMENSIONS DEFAULT TO MILLIMETRES

NOTES:
• SEISMIC ANCHORAGE FROM EQUIPMENT TO BASE TO BE PROVIDED BY OTHERS.



UTILITY STRUCTURES INC.

61 BONGARD AVE | OTTAWA, ON | K2E 6V2
T: 613.225.6398 F: 613.225.1681 TF: 800.267.6466

www.utilitystructures.com

CONSTRUCTION DETAILS:

• REFERENCE **HYDRO ONE DU-09-101 & DU-09-201**

• **CSA 23.4-05**

- 35 MPa (5000psi) AT 28 DAYS
- STRIPPING STRENGTH: MIN. 20 MPa(2900psi)
- 5-8% AIR ENTRAINED
- EXPOSURE CLASS: C-1
- REINFORCING: STEEL TO CSA CAN A23.1

PRODUCT DETAILS:

- (2) 127mm[5"] POLYLOK PIPESEAL WINDOWS (12 POLYLOKS PER WINDOW)
- (2) 127mm[5"] POLYLOK PIPESEAL WINDOWS (8 POLYLOKS PER WINDOW)
- SINGLE PHASE BASE 25kVA TO 167kVA

NOTES:

- SOIL BEARING CAPACITY TO BE MIN. 130 kPa (SLS); VERIFY ON SITE.
- LOAD REQUIREMENTS: MAXIMUM EQUIPMENT WEIGHT: 820 kg / 1800 lbs

PRODUCT CODE:

E-15-PC

SINGLE PHASE TRANSFORMER BASE

OUTSIDE DIMENSIONS:

1.07m(H) x 1016mm x 1473mm

TOTAL WEIGHT:

1,800 kg / 3,970 lbs

REVISION DATE:

SEPTEMBER 18, 2017

REV. # 6