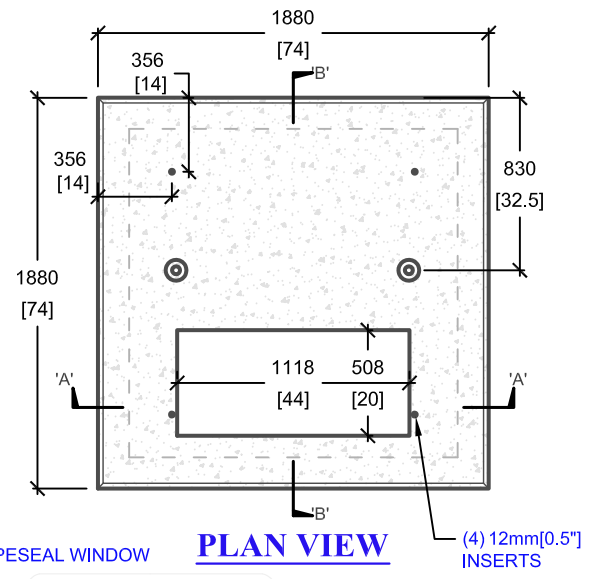


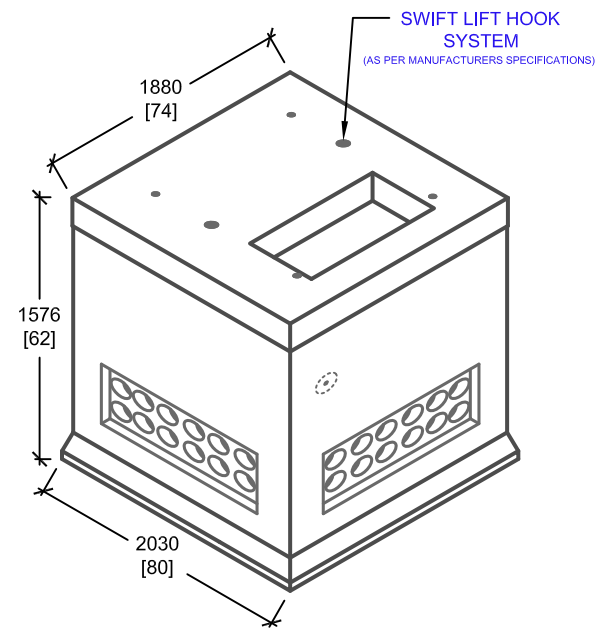
CROSS SECTION 'A'



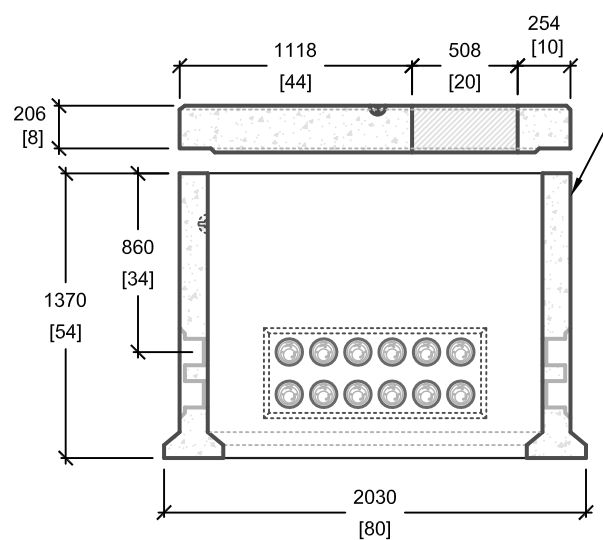
PLAN VIEW

LOAD REQUIREMENTS	
DISTRIBUTED LATERAL LOAD	25 kN/m ²
TOP SLAB DISTRIBUTED LOAD	60 kN/m ²
TOP SLAB POINT LOAD	70 kN

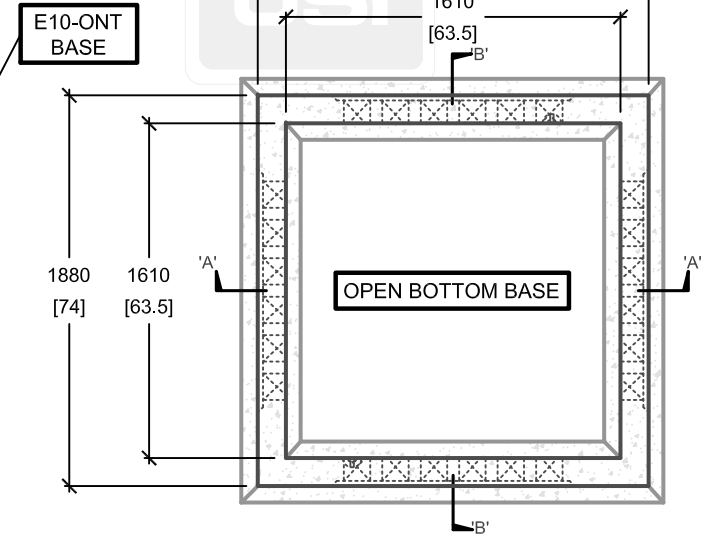
* DISTRIBUTED AND POINT LOADS ON TOP SLAB SHALL NOT BE APPLIED SIMULTANEOUSLY.



ISOMETRIC VIEW



CROSS SECTION 'B'



PLAN VIEW

NOTES:
 • SOIL BEARING CAPACITY TO BE MIN. 130 kPa (SLS); VERIFY ON SITE.
 • COORDINATE WITH GEOTECHNICAL ENGINEER FOR GEOTECHNICAL RELATED MATTERS.
 • TRANSFORMER ANCHORAGE TO E-10-ONT BASE THROUGH E-11-ONT PAD FOR LATERAL LOADS (SEISMIC/WIND) BY OTHERS.

mm
 [Inches]
 ALL DIMENSIONS DEFAULT TO MILLIMETRES



UTILITY STRUCTURES INC.
 61 BONGARD AVE | OTTAWA, ON | K2E 6V2
 T: 613.225.6398 F: 613.225.1681 TF: 800.267.6466
www.utilitystructures.com

- CONSTRUCTION DETAILS:**
- REFERENCE **HYDRO ONE DU-09-202**
 - E-10-ONT BASE AND E-11-ONT PAD ASSEMBLED
 - CSA A23.1
 - 35 MPa (5000psi) AT 28 DAYS
 - STRIPPING STRENGTH: MIN. 20 MPa(2900psi)
 - 5-8% AIR ENTRAINED
 - EXPOSURE CLASS: C-1
 - REINFORCING: STEEL TO CSA G30.18

- PRODUCT DETAILS:**
- E-10-ONT BASE**
- (4) 127mm[5"] POLYLOK PIPESEAL WINDOWS (12 POLYLOKS PER WINDOW)
 - THREE PHASE BASE 150kVA TO 2500kVA
 - E-10B-ONT CLOSED BOTTOM BASE AVAILABLE
- E-11-ONT PAD**
- (4) 12mm[0.5"] INSERTS (356mm[14"]x356mm[14"] FROM EDGES)
 - PAD OPENING: 508mm[20"]x1118mm[44"]
- CUSTOM OPTIONS AVAILABLE**
- CUSTOM KNOCKOUTS AND PAD OPENINGS

PRODUCT CODE:

E-10^c/_w E-11-ONT
 THREE PHASE TRANSFORMER BASE & PAD

OUTSIDE DIMENSIONS:
1.58m(H) x 1880mm x 1880mm

TOTAL WEIGHT:
4,250 kg / 9,350 lbs

REVISION DATE: **SEPTEMBER 26, 2017** **REV. # 3**