

## CABLE RACKS

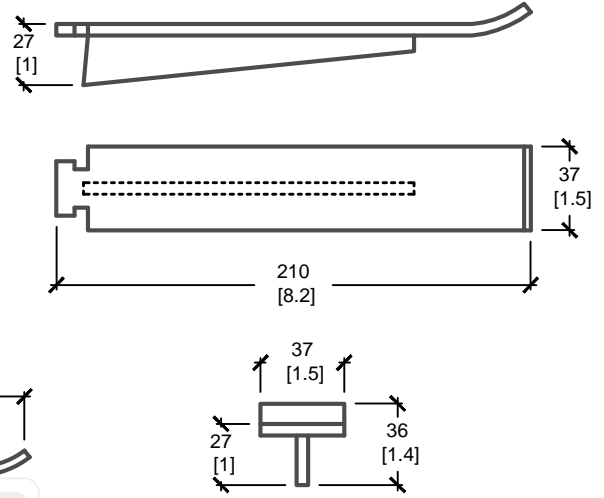
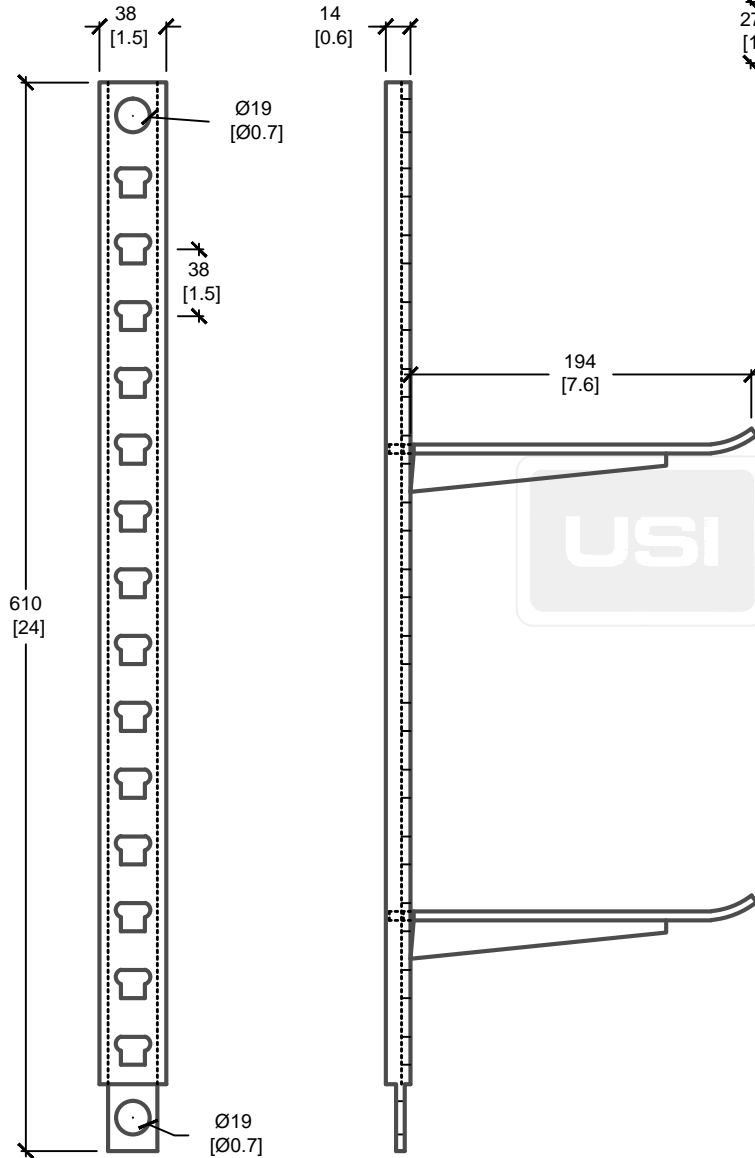
# OF HOLES	OVERALL LENGTH		HOOK HOLE SPACING	
	inches	millimeters	inches	millimeters
8	15	381	1.5	381
* 14	24	610	1.5	381
18	30	762	1.5	381

\* Unit is shown in diagram

## STEEL "T" HOOKS

EXTENSION FROM RACK FACE		MAXIMUM RATED STRENGTH	
inches	millimeters	lbs.	KN
4	102	375	1.67
* 7.625	194	350	1.56
10	254	200	0.89

\* Unit is shown in diagram



## STEEL "T" HOOK DETAIL

**FRONT VIEW**

**SIDE VIEW**

mm  
[Inches]  
ALL DIMENSIONS DEFAULT TO MILLIMETRES



**UTILITY STRUCTURES INC.**

61 BONGARD AVE | OTTAWA, ON | K2E 6V2  
T: 613.225.6398 F: 613.225.1681 TF: 800.267.6466

[www.utilitystructures.com](http://www.utilitystructures.com)

**CONSTRUCTION DETAILS:**

- HOT DIPPED GALVANIZED STEEL
- CABLE RACKS ARE MADE FROM 1-1/2" x 3/16" x 3/16" ROLLED STEEL CHANNEL.
- THE TONGUE AT THE BOTTOM OF THE RACK FITS INSIDE THE TOP OF THE RACK BELOW.

**PRODUCT CODE:**

**CABLE RACK**  
HOT DIPPED GALVANIZED STEEL

**DIMENSIONS:**

**24" LONG x 1.5" WIDE**

**TOTAL WEIGHT:**

**N/A**

**REVISION DATE:**

**JUNE 18, 2018**

**REV. # 5**