

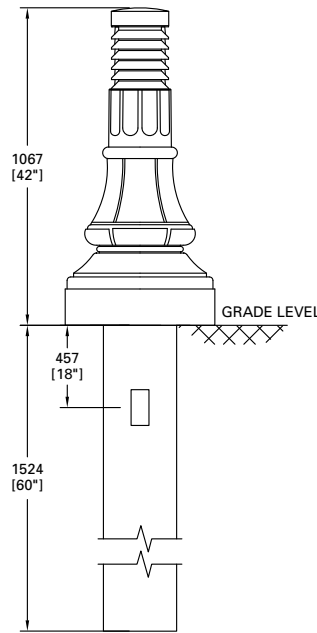


THE WASHINGTON LIGHTING BOLLARD



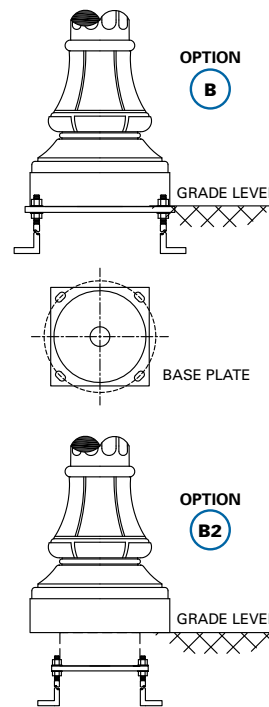
BWA-042-3-BE-LED

TYPICAL BOLLARD DETAIL



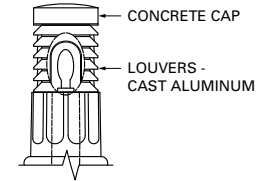
INSTALLATION OPTIONS

Direct buried is standard.

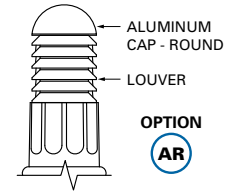


CAP DETAIL

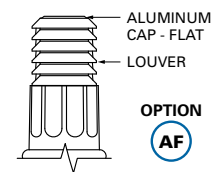
Concrete cap is standard.



CAP DETAIL (OPTION)



CAP DETAIL (OPTION)



EXAMPLE OF TYPICAL CATALOG NUMBER

Select options as required.

BWA - **042** - **3** - **BE** - **B2** - **AR**

- BWA** BOLLARD STYLE Washington Bollard
- 042** ABOVE GRADE (inches) 42"
- 3** FINISH Etched
- BE** COLOUR Black Eclipse
- B2** OPTION Base Plate - Below Grade Stub
- AR** OPTION Aluminum Cap - Round

Select OPTIONS

The Washington bollard has 5 standard options to choose from.

CODE	DESCRIPTION
B	Base Plate - Flush with Bolts Exposed
B2	Base Plate - Below Grade Stub
AR	Aluminum Cap - Round
AF	Aluminum Cap - Flat
R	GFI Receptacle

Select BOLLARD STYLE

USI concrete bollards are available in 4 different styles.

CODE	DESCRIPTION
BHA	Hampton Bollard
BMA	Madison Bollard
BST	Stratford Bollard
BWA	Washington Bollard

Select SURFACE FINISH

USI concrete bollards are available with 2 types of surface finishes.

CODE	DESCRIPTION
N/A	Polished finish
3	Etched finish
4	Exposed finish

Select COLOUR

Our bollards are available in all 12 colours. Please visit our Colours & Finishes section for complete information.

CODE	DESCRIPTION
AJ	Aztec Jade
BE	Black Eclipse
DB	Dark Bronze
SP	Salt & Pepper

LAMPING OPTIONS

CODE	DESCRIPTION
HPS	High Pressure Sodium
MH	Metal Halide
LED	LED

ELECTRICAL OPTIONS

CODE	DESCRIPTION
120V	120 volts
277V	277 volts
347V	347 volts

Note: Consult USI for additional voltages.



61 BONGARD AVENUE, OTTAWA, ONTARIO CANADA K2E 6V2
 TEL: [613] 225-6398 • FAX: [613] 225-1681 • TOLL FREE: 1-800-267-6466
 www.utilitystructures.com