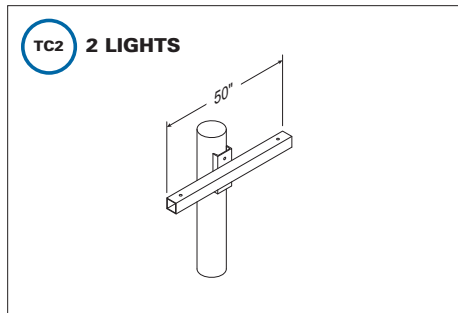
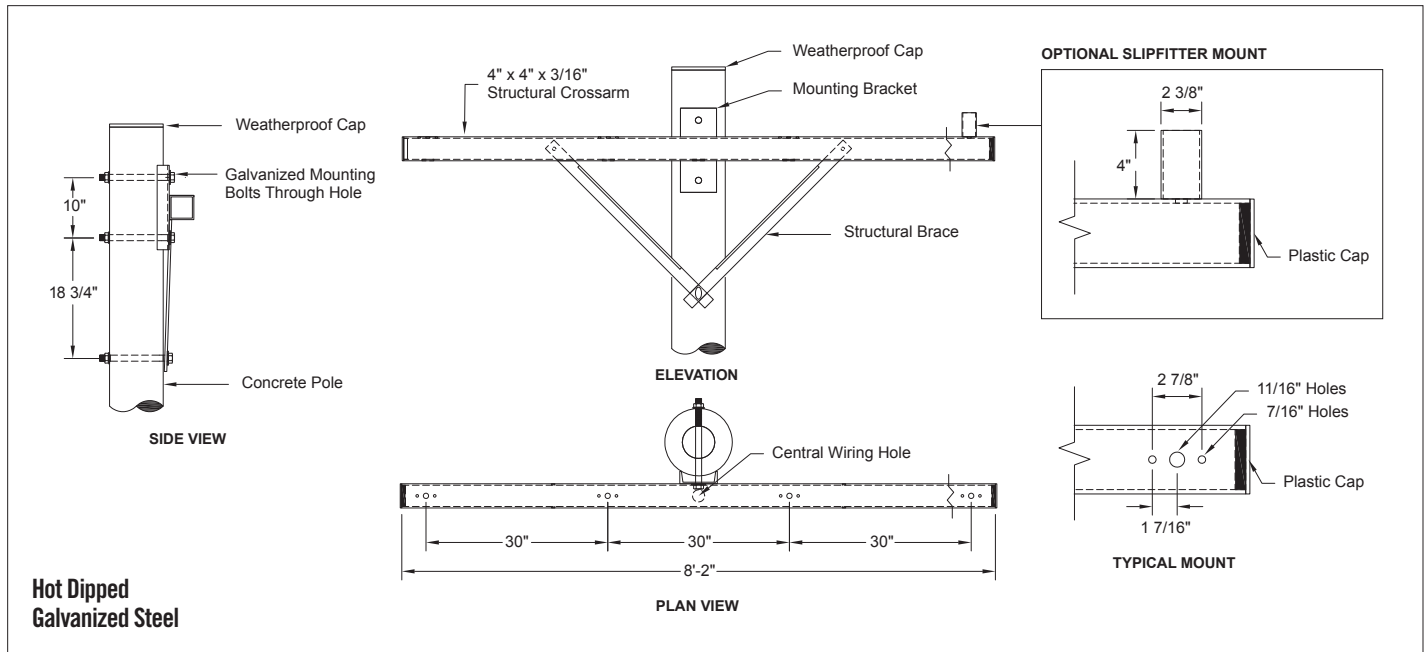


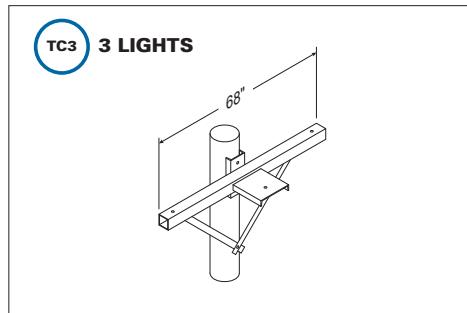
TUBULAR CROSSARMS | Heavy Duty

! You must select Mounting Option 10 (Side Mount) when choosing Tubular Crossarms.

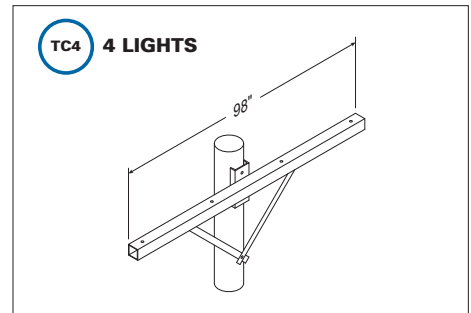
Select code **10** — **TC#**



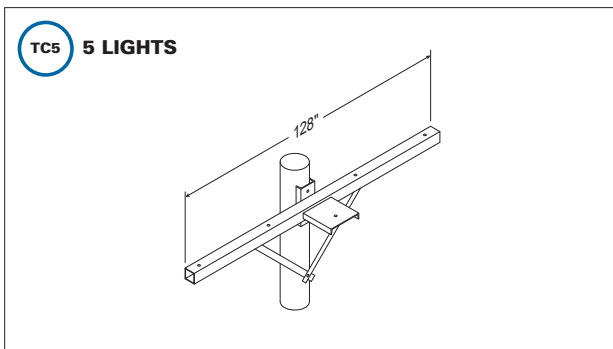
CROSSARM CATALOGUE NUMBER	TYP. FIXTURE SPACING [in.]	EPA [sq.ft.]	WEIGHT [lbs.]
TC2	42	2.5	60



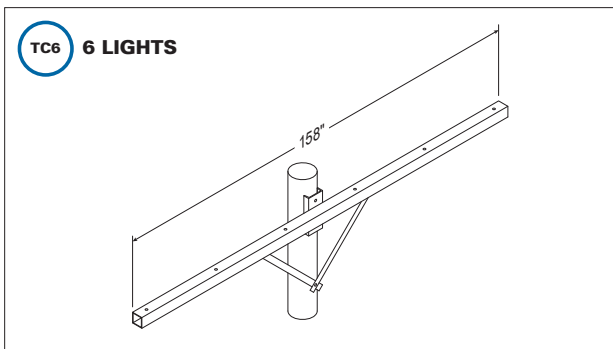
CROSSARM CATALOGUE NUMBER	TYP. FIXTURE SPACING [in.]	EPA [sq.ft.]	WEIGHT [lbs.]
TC3	30	4.0	120



CROSSARM CATALOGUE NUMBER	TYP. FIXTURE SPACING [in.]	EPA [sq.ft.]	WEIGHT [lbs.]
TC4	30	5.5	120



CROSSARM CATALOGUE NUMBER	TYP. FIXTURE SPACING [in.]	EPA [sq.ft.]	WEIGHT [lbs.]
TC5	30	7.5	175



CROSSARM CATALOGUE NUMBER	TYP. FIXTURE SPACING [in.]	EPA [sq.ft.]	WEIGHT [lbs.]
TC6	30	10.5	175

NOTE: Fixture spacing above reflects our standard. Custom spacing available upon request.

USI 61 BONGARD AVENUE, OTTAWA, ONTARIO CANADA K2E 6V2
 TEL: [613] 225-6398 • FAX: [613] 225-1681 • TOLL FREE: 1-800-267-6466
 www.utilitystructures.com