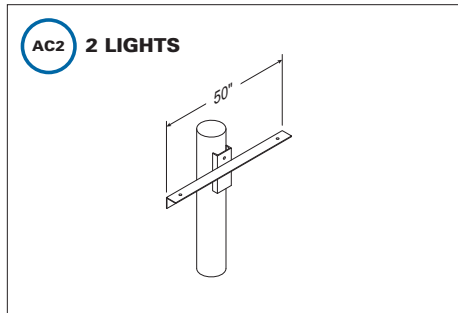
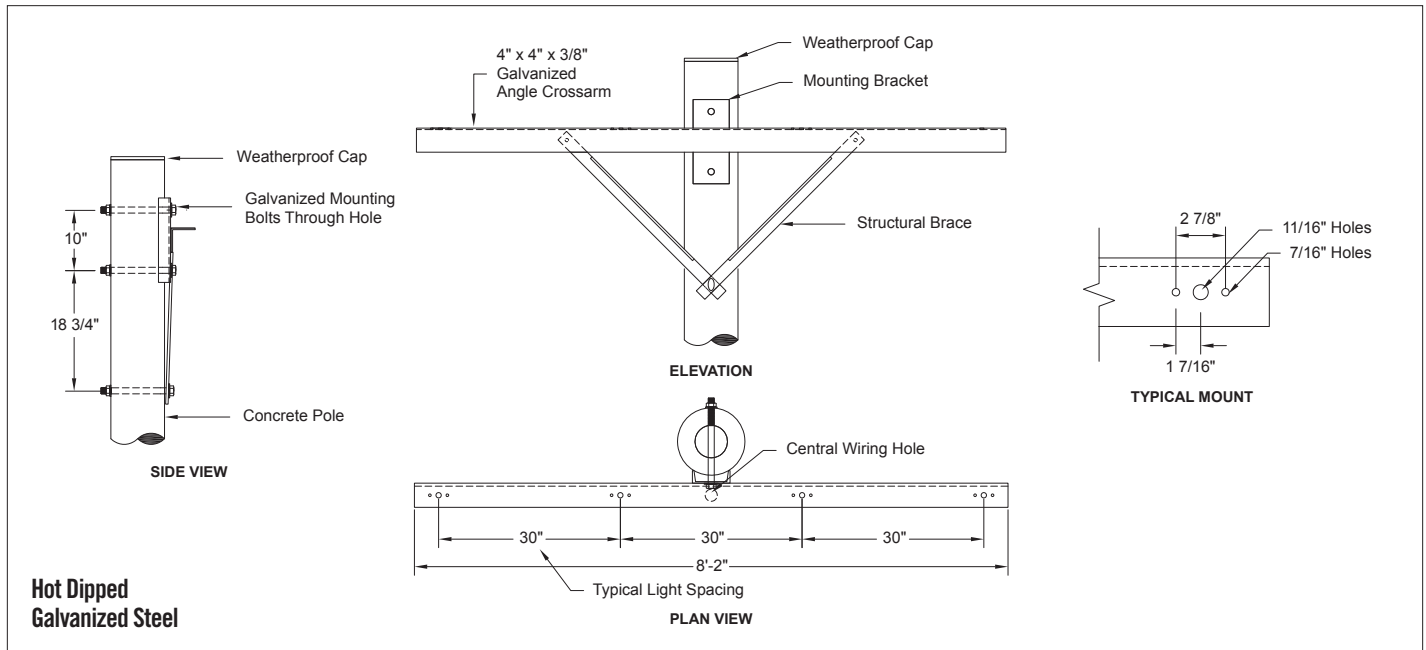


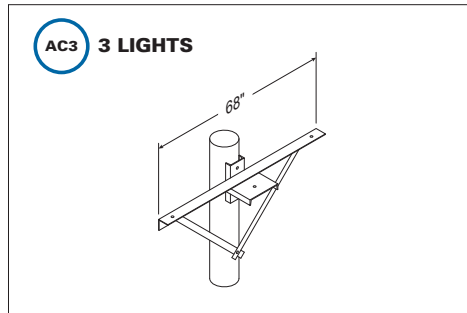
ANGLE IRON CROSSARMS | Medium Duty

! You must select Mounting Option 10 (Side Mount) when choosing Angle Iron crossarms.

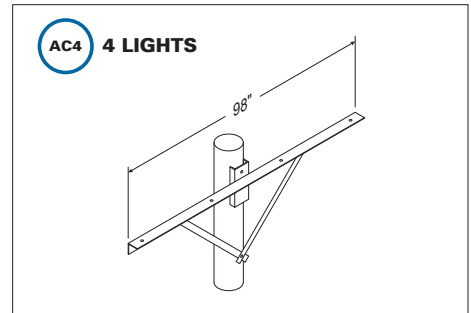
Select code **10** – **AC#**



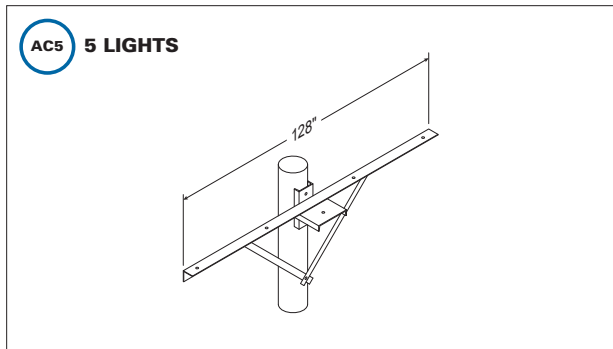
CROSSARM CATALOGUE NUMBER	TYP. FIXTURE SPACING [in.]	EPA [sq.ft.]	WEIGHT [lbs.]
AC2	42	2.0	60



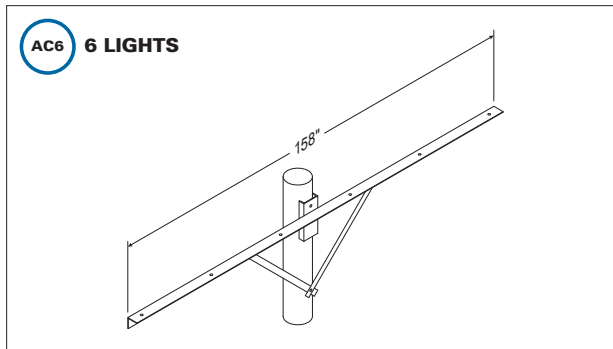
CROSSARM CATALOGUE NUMBER	TYP. FIXTURE SPACING [in.]	EPA [sq.ft.]	WEIGHT [lbs.]
AC3	30	3.5	120



CROSSARM CATALOGUE NUMBER	TYP. FIXTURE SPACING [in.]	EPA [sq.ft.]	WEIGHT [lbs.]
AC4	30	5.0	120



CROSSARM CATALOGUE NUMBER	TYP. FIXTURE SPACING [in.]	EPA [sq.ft.]	WEIGHT [lbs.]
AC5	30	7.0	175



CROSSARM CATALOGUE NUMBER	TYP. FIXTURE SPACING [in.]	EPA [sq.ft.]	WEIGHT [lbs.]
AC6	30	10.0	175

NOTE: Fixture spacing above reflects our standard. Custom spacing available upon request.



61 BONGARD AVENUE, OTTAWA, ONTARIO CANADA K2E 6V2
 TEL: [613] 225-6398 • FAX: [613] 225-1681 • TOLL FREE: 1-800-267-6466
 www.utilitystructures.com