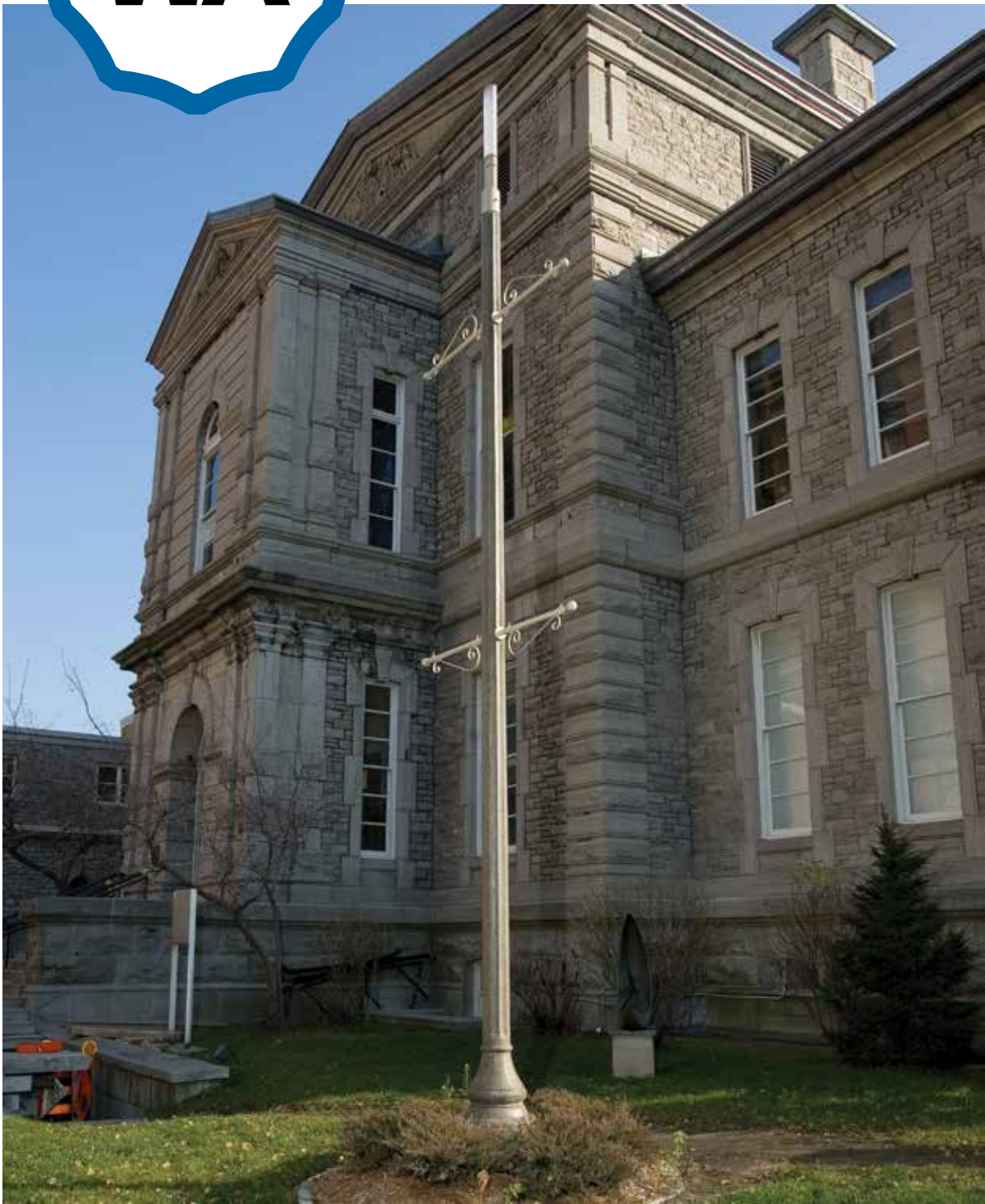


WA



THE WASHINGTON SERIES

OF CONCRETE POLES



UTILITY STRUCTURES INC.



THE WASHINGTON SERIES

PHYSICAL DETAILS

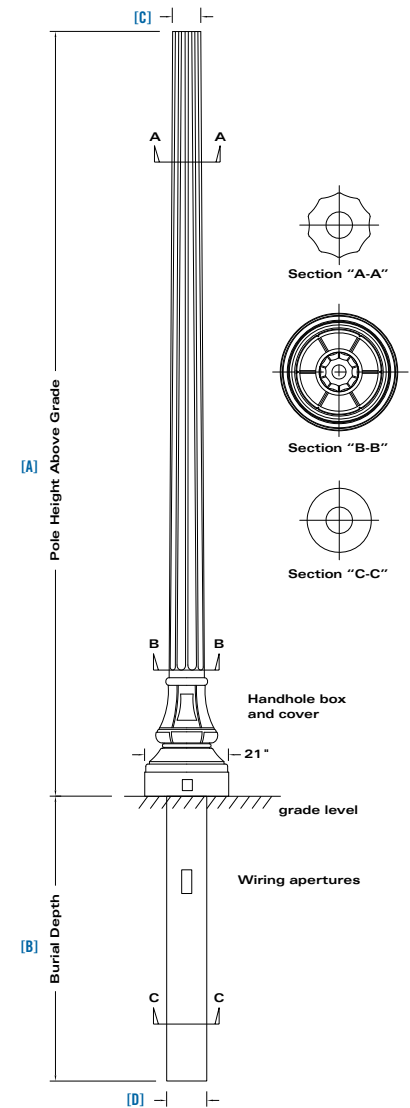
- Ten fluted symmetrical cross section.
- Standard taper of 6.2mm/metre (0.074"/foot).
- Standard mold, etched, exposed finishes are available in a variety of colours.
- Available in heights from 15 feet to 30 feet above grade.
- Will accept a variety of luminaire mounting styles.

WASHINGTON SPECIFYING CHART

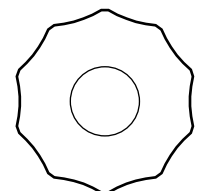
CLASS OF POLE	SPECIFYING POLE CODE [Style-Height-Class]	[A] POLE HEIGHT ABOVE GRADE [ft.]	[B] DIRECT BURIAL LENGTH [ft.]	[C] POLE TIP DIMENSION [in.]	[D] POLE BUTT DIAMETER [in.]	ULTIMATE GROUND LINE MOMENT [ft.lbs.]	NOMINAL POLE WEIGHT [lbs.]
A	WA-200-A	15	5	6 1/8	12	7800	1540
	WA-210-A	16	5	6 1/8	12	8400	1580
	WA-220-A	17	5	6	12	9000	1620
	WA-230-A	18	5	5 7/8	12	9600	1660
	WA-240-A	19	5	5 7/8	12	10200	1700
	WA-250-A	20	5	5 3/4	12	10800	1750
	WA-260-A	21	5	5 3/4	12	11400	1780
	WA-270-A	22	5	5 5/8	12	12000	1810
	WA-280-A	23	5	5 1/2	12	12600	1840
	WA-290-A	24	5	5 1/2	12	13200	1870
	WA-300-A	25	5	5 3/8	12	13800	1900
	WA-310-A	26	5	5 3/8	12	14400	1950
	WA-320-A	27	5	5 1/4	12	15000	2000
	WA-330-A	28	5	5 1/8	12	15600	2045
	WA-340-A	29	5	5 1/8	12	16200	2095
	WA-350-A	30	5	5	12	16800	2140

NOTES: This chart outlines typical heights and class of poles for this style. Other sizes are available upon request. Pole height above grade based on standard burial depth of 5' 0" for normal soils. Ultimate ground line moment is calculated as follows: Height above grade minus 2 ft. times transverse bending strength. Tip dimensions are measured from flat to flat.

TYPICAL POLE DETAIL



CROSS SECTION



FLUTED



The Washington Series



The Washington Series base detail



61 BONGARD AVENUE, OTTAWA, ONTARIO CANADA K2E 6V2
 TEL: [613] 225-6398 • FAX: [613] 225-1681 • TOLL FREE: 1-800-267-6466
 www.utilitystructures.com

THE WASHINGTON SERIES

Select SURFACE FINISH

The Washington Series is available with 3 types of surface finishes.

CODE	DESCRIPTION
1	Mold finish
N/A	Polished finish
3	Etched finish
4	Exposed finish

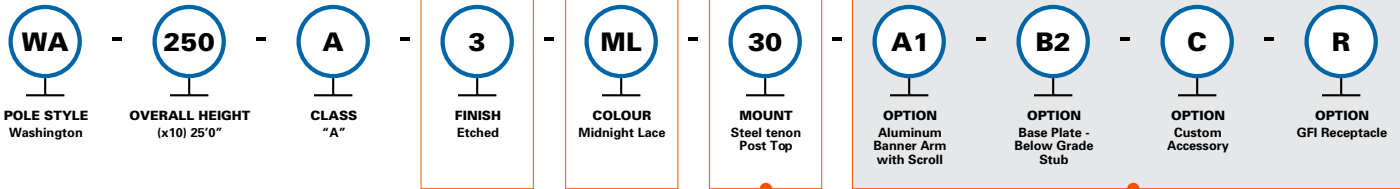
Select COLOUR

The Washington Series is available in all 12 colours. Please visit our Colours & Finishes section for complete information. Custom colours are available upon request.

CODE	DESCRIPTION	CODE	DESCRIPTION	CODE	DESCRIPTION
AR	Autumn Red	DR	Desert Rose	OJ	Oriental Jade
AJ	Aztec Jade	DS	Desert Sand	SP	Salt & Pepper
BE	Black Eclipse	ML	Midnight Lace	SB	Seluki Bronze
DB	Dark Bronze	NG	Natural Grey	VW	Venetian White



EXAMPLE OF TYPICAL CATALOG NUMBER



Select options as required.

Select FIXTURE MOUNT

The Washington Series is available with 5 fixture mount options.

CODE	DESCRIPTION
10	Side Mount/Through Bolts
20	Side Mount/Inserts
30	Steel Tenon/Post Top
60	Scroll Arm
90	Custom Mount

Select OPTIONS & ACCESSORIES

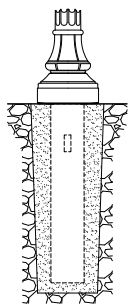
The Washington Series has 20 standard options and accessories to choose from. Please visit our Options & Accessories section for complete information. Custom accessories are available upon request.

CODE	DESCRIPTION	CODE	DESCRIPTION
A	Aluminum Banner Arm	D2	Double Handhole Box with Inline Breaker
A1	Aluminum Banner Arm with Scroll	F	Fin Cap - Octagonal
A2	Aluminum Banner Arm with Flower Pot Holder	H	Flag Holder
A3	Aluminum Banner Arm with Scroll and Flower Pot Holder	L	Ladder Rest
A4	Aluminum Breakaway Banner Arm	L1	Ladder Rest with Scroll
B	Base Plate - Flush with Bolts Exposed	P	Interior Corrosion Protection
B1	Base Plate - Hidden Bolt Pockets	R	GFI Receptacle
B2	Base Plate - Below Grade Stub	S	Base Shroud - Square
C	Custom Accessory	S1	Base Shroud - Round
D	Double Handhole Box	X	Exterior Silane Sealer

FOOTING DETAILS

DIRECT BURIAL

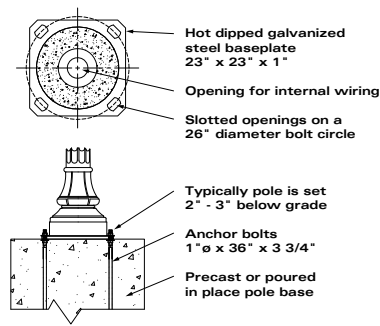
Standard and Cost Effective



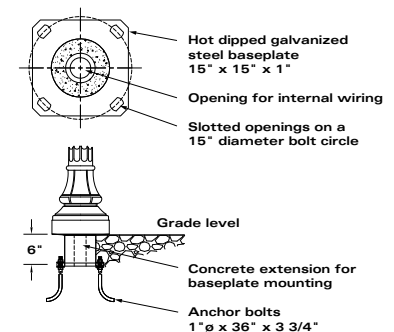
1. Auger the appropriate size hole.
2. Set pole in hole and plumb straight.
3. Backfill with specified material, tamping every 6".

Note: Generally the native material can be used for backfill. Depending on site conditions, alternative materials may be required.

OPTION B Base Plate - Flush with Bolts Exposed



OPTION B2 Base Plate - Below Grade Stub



61 BONGARD AVENUE, OTTAWA, ONTARIO CANADA K2E 6V2
 TEL: [613] 225-6398 • FAX: [613] 225-1681 • TOLL FREE: 1-800-267-6466
www.utilitystructures.com





THE WASHINGTON SERIES

OF CONCRETE POLES



UTILITY STRUCTURES INC.

61 BONGARD AVENUE, OTTAWA, ONTARIO CANADA K2E 6V2
TEL: [613] 225-6398 • FAX: [613] 225-1681 • TOLL FREE: 1-800-267-6466
www.utilitystructures.com

Actual product may vary from colours shown in photos. All information accurate at time of printing. Utility Structures Inc. is the owner and/or authorized user of all trademarks and logos. E.&O.E. Subject to change without notice. Printed in Canada. ©2014.

