

**TH**



# THE THOMPSON SERIES

OF CONCRETE POLES



UTILITY STRUCTURES INC.



# THE THOMPSON SERIES

## PHYSICAL DETAILS

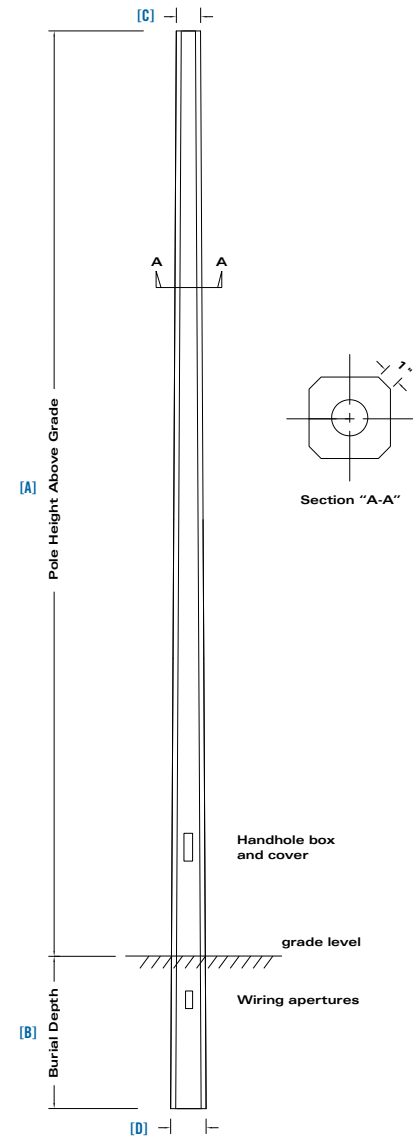
- Square tapered (1" chamfered corners) symmetrical cross section.
- Standard taper of 10.4mm/metre (0.125"/foot).
- Standard mold, etched, exposed or polished finishes are available in a variety of colours.
- Available in heights from 11 feet to 39 feet above grade.
- Will accept a variety of luminaire mounting styles.

## THOMPSON SPECIFYING CHART

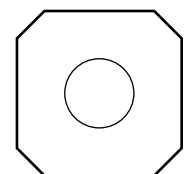
| CLASS OF POLE | SPECIFYING POLE CODE (Style-Height-Class) | [A] POLE HEIGHT ABOVE GRADE [ft.] | [B] DIRECT BURIAL LENGTH [ft.] | [C] POLE TIP DIMENSION [in.] | [D] POLE BUTT DIAMETER [in.] | ULTIMATE GROUND LINE MOMENT [ft.lbs.] | NOMINAL POLE WEIGHT [lbs.] |
|---------------|---|-----------------------------------|--------------------------------|------------------------------|------------------------------|---------------------------------------|----------------------------|
| <b>A</b>      | TH-150-A                                  | 11                                | 4                              | 4 3/4                        | 6 5/8                        | 5400                                  | 480                        |
|               | TH-175-A                                  | 13 1/2                            | 4                              | 4 3/4                        | 6 1/4                        | 6900                                  | 590                        |
|               | TH-200-A                                  | 15                                | 5                              | 4 3/4                        | 7 1/4                        | 7800                                  | 700                        |
|               | TH-225-A                                  | 17 1/2                            | 5                              | 4 3/4                        | 7 1/2                        | 9300                                  | 825                        |
|               | TH-250-A                                  | 20                                | 5                              | 4 3/4                        | 7 7/8                        | 10800                                 | 980                        |
|               | TH-275-A                                  | 22 1/2                            | 5                              | 4 3/4                        | 8 1/4                        | 12350                                 | 1120                       |
|               | TH-300-A                                  | 25                                | 5                              | 4 3/4                        | 8 1/2                        | 13800                                 | 1275                       |
| <b>B</b>      | TH-250-B                                  | 20                                | 5                              | 4 3/4                        | 7 7/8                        | 16200                                 | 1030                       |
|               | TH-275-B                                  | 22 1/2                            | 5                              | 4 3/4                        | 8 1/4                        | 18450                                 | 1180                       |
|               | TH-300-B                                  | 25                                | 5                              | 4 3/4                        | 8 1/2                        | 20700                                 | 1340                       |
|               | TH-325-B                                  | 27 1/2                            | 5                              | 4 3/4                        | 8 7/8                        | 22950                                 | 1510                       |
|               | TH-350-B                                  | 30                                | 5                              | 4 3/4                        | 9 1/8                        | 25200                                 | 1690                       |
|               | TH-375-B                                  | 32 1/2                            | 5                              | 4 3/4                        | 9 3/8                        | 27450                                 | 1880                       |
|               | TH-400-B                                  | 34                                | 6                              | 4 3/4                        | 9 3/4                        | 28800                                 | 2120                       |
|               | TH-425-B                                  | 36 1/2                            | 6                              | 4 3/4                        | 10 1/8                       | 31050                                 | 2345                       |
| TH-450-B      | 39  | 6                                 | 4 3/4                          | 10 3/8                       | 34200                        | 2580                                  |                            |

NOTES: This chart outlines typical heights and class of poles for this style. Other sizes are available upon request. Pole height above grade based on standard burial depth of 5' 0" for normal soils. Ultimate ground line moment is calculated as follows: Height above grade minus 2 ft. times transverse bending strength. **Tip dimensions are measured from flat to flat.**

## TYPICAL POLE DETAIL



## CROSS SECTION



SQUARE



The Thompson Series



The Thompson Series



61 BONGARD AVENUE, OTTAWA, ONTARIO CANADA K2E 6V2  
 TEL: (613) 225-6398 • FAX: (613) 225-1681 • TOLL FREE: 1-800-267-6466  
 www.utilitystructures.com

# THE THOMPSON SERIES

## Select SURFACE FINISH

The Thompson Series is available with 4 types of surface finishes.

| CODE | DESCRIPTION     |
|------|-----------------|
| 1    | Mold finish     |
| 2    | Polished finish |
| 3    | Etched finish   |
| 4    | Exposed finish  |

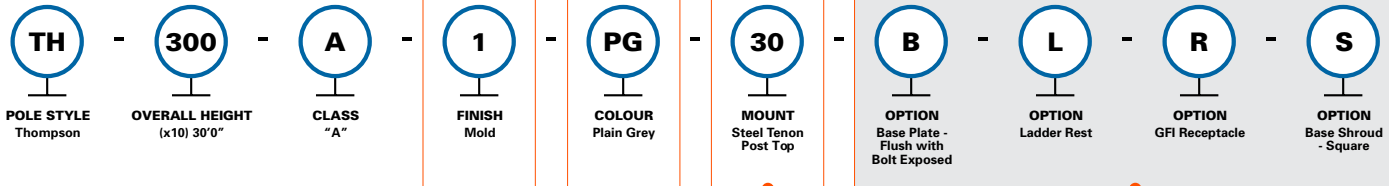
## Select COLOUR

The Thompson Series is available in all 12 colours. Please visit our Colours & Finishes section for complete information. Custom colours are available upon request.

| CODE | DESCRIPTION   | CODE | DESCRIPTION   | CODE | DESCRIPTION    |
|------|---------------|------|---------------|------|----------------|
| AR   | Autumn Red    | DR   | Desert Rose   | OJ   | Oriental Jade  |
| AJ   | Aztec Jade    | DS   | Desert Sand   | SP   | Salt & Pepper  |
| BE   | Black Eclipse | ML   | Midnight Lace | SB   | Seluki Bronze  |
| DB   | Dark Bronze   | NG   | Natural Grey  | VW   | Venetian White |



## EXAMPLE OF TYPICAL CATALOG NUMBER



Select options as required.

## Select FIXTURE MOUNT

The Thompson Series is available with 6 fixture mount options.

| CODE | DESCRIPTION                |
|------|----------------------------|
| 10   | Side Mounted/Through Bolts |
| 20   | Side Mounted/Inserts       |
| 30   | Steel Tenon/Post Top       |
| 60   | Scroll Arm                 |
| 80   | Camera Mount               |
| 90   | Custom Mount               |

## Select OPTIONS & ACCESSORIES

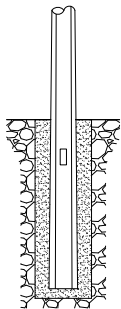
The Thompson Series has 16 standard options and accessories to choose from. Please visit our Options & Accessories section for complete information. Custom accessories are available upon request.

| CODE | DESCRIPTION   | CODE | DESCRIPTION                             |
|------|---|------|---|
| A    | Aluminum Banner Arm                                   | D2   | Double Handhole Box with Inline Breaker |
| A1   | Aluminum Banner Arm with Scroll                       | H    | Flag Holder                             |
| A2   | Aluminum Banner Arm with Flower Pot Holder            | L    | Ladder Rest                             |
| A3   | Aluminum Banner Arm with Scroll and Flower Pot Holder | L1   | Ladder Rest with Scroll                 |
| A4   | Aluminum Breakaway Banner Arm                         | P    | Interior Corrosion Protection           |
| B    | Base Plate - Flush with Bolts Exposed                 | R    | GFI Receptacle                          |
| C    | Custom Accessory                                      | S    | Base Shroud - Square                    |
| D    | Double Handhole Box                                   | X    | Exterior Silane Sealer                  |

## FOOTING DETAILS

### DIRECT BURIAL

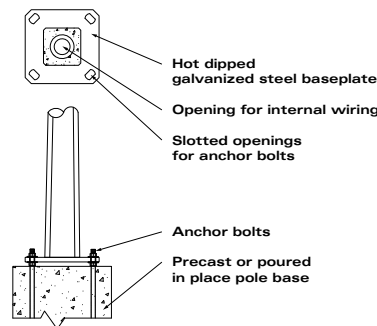
Standard and Cost Effective



1. Auger the appropriate size hole.
2. Set pole in hole and plumb straight.
3. Backfill with specified material, tamping every 6".

*Note:* Generally the native material can be used for backfill. Depending on site conditions, alternative materials may be required.

### OPTION **B** Base Plate - Flush with Bolts Exposed



61 BONGARD AVENUE, OTTAWA, ONTARIO CANADA K2E 6V2  
TEL: [613] 225-6398 • FAX: [613] 225-1681 • TOLL FREE: 1-800-267-6466  
www.utilitystructures.com



# THE THOMPSON SERIES

## OF CONCRETE POLES



**UTILITY STRUCTURES INC.**

61 BONGARD AVENUE, OTTAWA, ONTARIO CANADA K2E 6V2  
TEL: [613] 225-6398 • FAX: [613] 225-1681 • TOLL FREE: 1-800-267-6466  
[www.utilitystructures.com](http://www.utilitystructures.com)

Actual product may vary from colours shown in photos. All information accurate at time of printing. Utility Structures Inc. is the owner and/or authorized user of all trademarks and logos. E.&O.E. Subject to change without notice. Printed in Canada. ©2014.

