

**ST**



# THE STRATFORD SERIES

OF CONCRETE POLES



UTILITY STRUCTURES INC.

# THE STRATFORD SERIES

## PHYSICAL DETAILS

- Three tiered octagonal symmetrical cross section.
- Smaller version of the Cambridge.
- Standard taper of 17mm/metre (0.206"/foot).
- Standard mold, etched, exposed or polished finishes are available in a variety of colours.
- Available in heights from 10 feet to 16 feet above grade.
- Will accept a variety of luminaire mounting styles.

## STRATFORD SPECIFYING CHART

CLASS OF POLE	SPECIFYING POLE CODE [Style-Height-Class]	[A] POLE HEIGHT ABOVE GRADE [ft.]	[B] DIRECT BURIAL LENGTH [ft.]	[C] POLE TIP DIMENSION [in.]	[D] POLE BUTT DIAMETER [in.]	ULTIMATE GROUND LINE MOMENT [ft.lbs.]	NOMINAL POLE WEIGHT [lbs.]
<b>A</b>	ST-150-A	10	5	5	8 1/4	4800	760
	ST-160-A	11	5	4 3/4	8 1/4	5400	780
	ST-170-A	12	5	4 1/2	8 1/4	6000	800
	ST-180-A	13	5	4 1/4	8 1/4	6600	820
	ST-190-A	14	5	4 1/8	8 1/4	7200	840
	ST-200-A	15	5	3 15/16	8 1/4	7800	860
	ST-210-A	16	5	3 3/4	8 1/4	8400	880

NOTES: This chart outlines typical heights and class of poles for this style. Other sizes are available upon request. Pole height above grade based on standard burial depth of 5' 0" for normal soils. Ultimate ground line moment is calculated as follows: Height above grade minus 2 ft. times transverse bending strength.

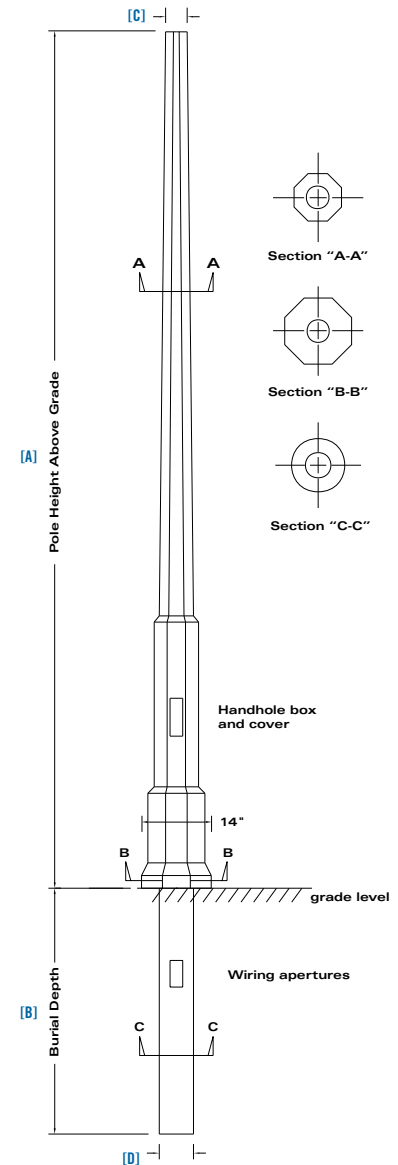


The Stratford Series

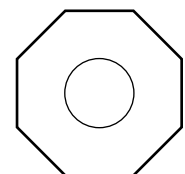


The Stratford Series base detail

## TYPICAL POLE DETAIL



## CROSS SECTION



OCTAGONAL



61 BONGARD AVENUE, OTTAWA, ONTARIO CANADA K2E 6V2  
 TEL: [613] 225-6398 • FAX: [613] 225-1681 • TOLL FREE: 1-800-267-6466  
[www.utilitystructures.com](http://www.utilitystructures.com)

# THE STRATFORD SERIES

## Select SURFACE FINISH

The Stratford Series is available with 4 types of surface finishes.

CODE	DESCRIPTION
1	Mold finish
2	Polished finish
3	Etched finish
4	Exposed finish

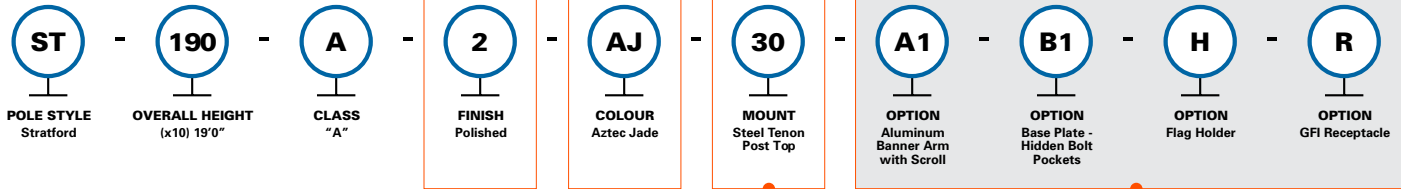
## Select COLOUR

The Stratford Series is available in all 12 colours. Please visit our Colours & Finishes section for complete information. Custom colours are available upon request.

CODE	DESCRIPTION	CODE	DESCRIPTION	CODE	DESCRIPTION
AR	Autumn Red	DR	Desert Rose	OJ	Oriental Jade
AJ	Aztec Jade	DS	Desert Sand	SP	Salt & Pepper
BE	Black Eclipse	ML	Midnight Lace	SB	Seluki Bronze
DB	Dark Bronze	NG	Natural Grey	VW	Venetian White



## EXAMPLE OF TYPICAL CATALOG NUMBER



Select options as required.

## Select FIXTURE MOUNT

The Stratford Series is available with 6 fixture mount options.

CODE	DESCRIPTION
10	Side Mounted/Through Bolts
20	Side Mounted/Inserts
30	Steel Tenon/Post Top
55	Top Mount Octagonal
60	Scroll Arm
90	Custom Mount

## Select OPTIONS & ACCESSORIES

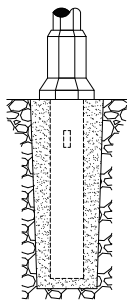
The Stratford Series has 20 standard options and accessories to choose from. Please visit our Options & Accessories section for complete information. Custom accessories are available upon request.

CODE	DESCRIPTION	CODE	DESCRIPTION
A	Aluminum Banner Arm	D2	Double Handhole Box with Inline Breaker
A1	Aluminum Banner Arm with Scroll	F	Fin Cap - Octagonal
A2	Aluminum Banner Arm with Flower Pot Holder	H	Flag Holder
A3	Aluminum Banner Arm with Scroll and Flower Pot Holder	L	Ladder Rest
A4	Aluminum Breakaway Banner Arm	L1	Ladder Rest with Scroll
B	Base Plate - Flush with Bolts Exposed	P	Interior Corrosion Protection
B1	Base Plate - Hidden Bolt Pockets	R	GFI Receptacle
B2	Base Plate - Below Grade Stub	S	Base Shroud - Square
C	Custom Accessory	S1	Base Shroud - Round
D	Double Handhole Box	X	Exterior Silane Sealer

## FOOTING DETAILS

### DIRECT BURIAL

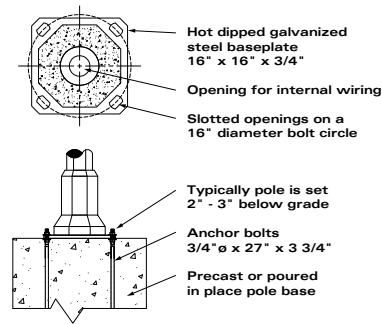
Standard and Cost Effective



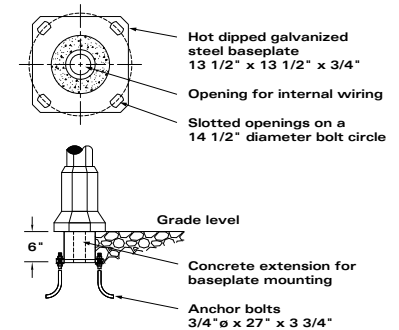
1. Auger the appropriate size hole.
2. Set pole in hole and plumb straight.
3. Backfill with specified material, tamping every 6".

Note: Generally the native material can be used for backfill. Depending on site conditions, alternative materials may be required.

### OPTION B Base Plate - Flush with Bolts Exposed



### OPTION B2 Base Plate - Below Grade Stub



61 BONGARD AVENUE, OTTAWA, ONTARIO CANADA K2E 6V2  
 TEL: [613] 225-6398 • FAX: [613] 225-1681 • TOLL FREE: 1-800-267-6466  
[www.utilitystructures.com](http://www.utilitystructures.com)



# THE STRATFORD SERIES

## OF CONCRETE POLES



**UTILITY STRUCTURES INC.**

61 BONGARD AVENUE, OTTAWA, ONTARIO CANADA K2E 6V2  
TEL: [613] 225-6398 • FAX: [613] 225-1681 • TOLL FREE: 1-800-267-6466  
[www.utilitystructures.com](http://www.utilitystructures.com)

Actual product may vary from colours shown in photos. All information accurate at time of printing. Utility Structures Inc. is the owner and/or authorized user of all trademarks and logos. E.&O.E. Subject to change without notice. Printed in Canada. ©2014.