

RO



THE ROCKCLIFFE SERIES

OF CONCRETE POLES



UTILITY STRUCTURES INC.

THE ROCKCLIFFE SERIES

PHYSICAL DETAILS

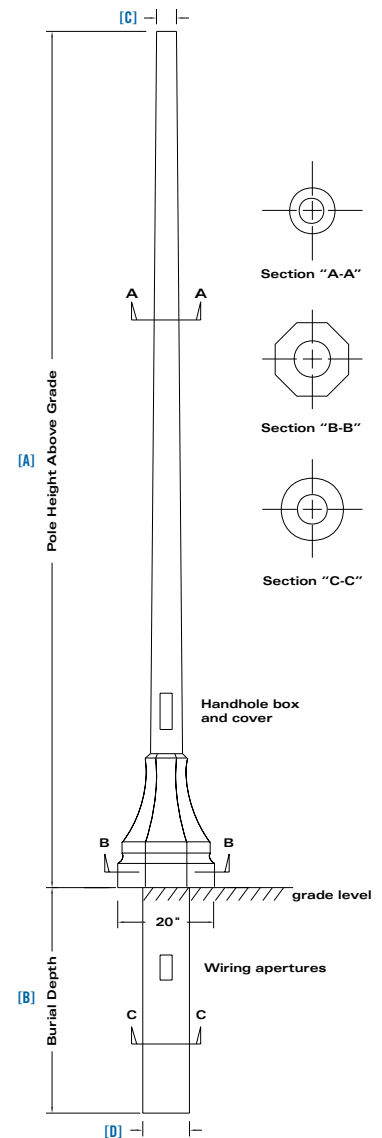
- Round tapered symmetrical cross section with flared base.
- Standard taper of 13mm/metre (0.155"/foot).
- Standard mold, etched, exposed finishes are available in a variety of colours.
- Available in heights from 14 feet to 23 feet above grade.
- Will accept a variety of luminaire mounting styles.

ROCKCLIFFE SPECIFYING CHART

CLASS OF POLE	SPECIFYING POLE CODE [Style-Height-Class]	[A] POLE HEIGHT ABOVE GRADE [ft.]	[B] DIRECT BURIAL LENGTH [ft.]	[C] POLE TIP DIMENSION [in.]	[D] POLE BUTT DIAMETER [in.]	ULTIMATE GROUND LINE MOMENT [ft.lbs.]	NOMINAL POLE WEIGHT [lbs.]
A	RO-190-A	14	5	5 3/8	10	7200	1200
	RO-200-A	15	5	5 1/4	10	7800	1270
	RO-210-A	16	5	5 3/16	10	8400	1335
	RO-220-A	17	5	4 15/16	10	9000	1395
	RO-230-A	18	5	4 3/4	10	9600	1450
	RO-240-A	19	5	4 5/8	10	10200	1500
	RO-250-A	20	5	4 1/2	10	10800	1545
	RO-260-A	21	5	4 5/16	10	11400	1585
	RO-270-A	22	5	4 1/8	10	12000	1620
	RO-280-A	23	5	4	10	12600	1650

NOTES: This chart outlines typical heights and class of poles for this style. Other sizes are available upon request. Pole height above grade based on standard burial depth of 5' 0" for normal soils. Ultimate ground line moment is calculated as follows: Height above grade minus 2 ft. times transverse bending strength.

TYPICAL POLE DETAIL

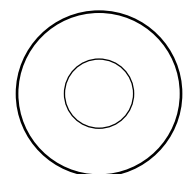


The Rockcliffe Series



The Rockcliffe Series base detail

CROSS SECTION



ROUND



61 BONGARD AVENUE, OTTAWA, ONTARIO CANADA K2E 6V2
 TEL: [613] 225-6398 • FAX: [613] 225-1681 • TOLL FREE: 1-800-267-6466
 www.utilitystructures.com

THE ROCKCLIFFE SERIES

Select SURFACE FINISH

The Rockcliffe Series is available with 3 types of surface finishes.

CODE	DESCRIPTION
1	Mold finish
N/A	Polished finish
3	Etched finish
4	Exposed finish

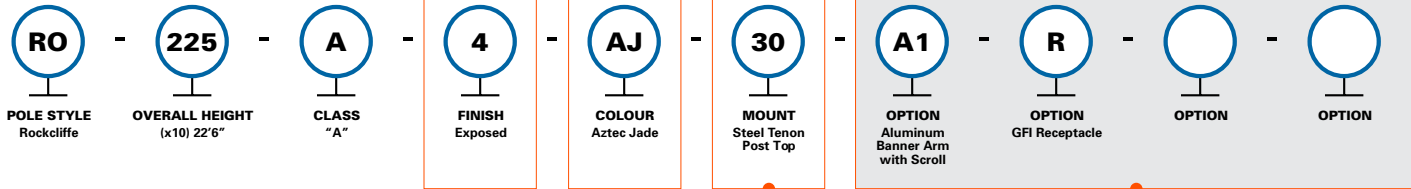
Select COLOUR

The Rockcliffe Series is available in all 12 colours. Please visit our Colours & Finishes section for complete information. Custom colours are available upon request.

CODE	DESCRIPTION	CODE	DESCRIPTION	CODE	DESCRIPTION
AR	Autumn Red	DR	Desert Rose	OJ	Oriental Jade
AJ	Aztec Jade	DS	Desert Sand	SP	Salt & Pepper
BE	Black Eclipse	ML	Midnight Lace	SB	Seluki Bronze
DB	Dark Bronze	NG	Natural Grey	VW	Venetian White



EXAMPLE OF TYPICAL CATALOG NUMBER



Select options as required.

Select FIXTURE MOUNT

The Rockcliffe Series is available with 8 fixture mount options.

CODE	DESCRIPTION
10	Side Mounted/Through Bolts
20	Side Mounted/Inserts
30	Steel Tenon/Post Top
40	Concrete Tenon/Post Top
50	Top Mount Round
60	Scroll Arm
70	Clamp On
90	Custom Mount

Select OPTIONS & ACCESSORIES

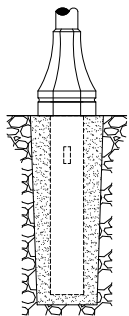
The Rockcliffe Series has 19 standard options and accessories to choose from. Please visit our Options & Accessories section for complete information. Custom accessories are available upon request.

CODE	DESCRIPTION	CODE	DESCRIPTION
A	Aluminum Banner Arm	D2	Double Handhole Box with Inline Breaker
A1	Aluminum Banner Arm with Scroll	H	Flag Holder
A2	Aluminum Banner Arm with Flower Pot Holder	L	Ladder Rest
A3	Aluminum Banner Arm with Scroll and Flower Pot Holder	L1	Ladder Rest with Scroll
A4	Aluminum Breakaway Banner Arm	P	Interior Corrosion Protection
B	Base Plate - Flush with Bolts Exposed	R	GFI Receptacle
B1	Base Plate - Hidden Bolt Pockets	S	Base Shroud - Square
B2	Base Plate - Below Grade Stub	S1	Base Shroud - Round
C	Custom Accessory	X	Exterior Silane Sealer
D	Double Handhole Box		

FOOTING DETAILS

DIRECT BURIAL

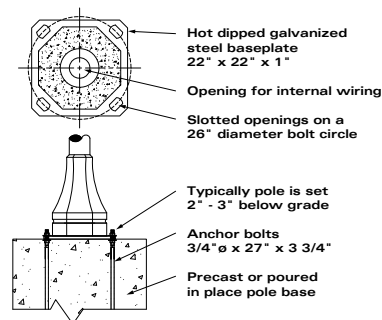
Standard and Cost Effective



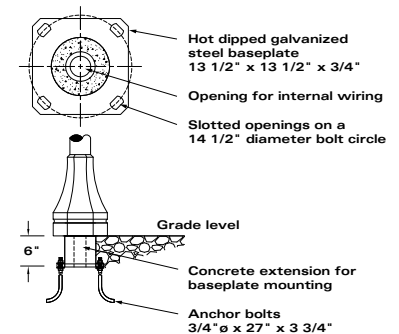
1. Auger the appropriate size hole.
2. Set pole in hole and plumb straight.
3. Backfill with specified material, tamping every 6".

Note: Generally the native material can be used for backfill. Depending on site conditions, alternative materials may be required.

OPTION B Base Plate - Flush with Bolts Exposed



OPTION B2 Base Plate - Below Grade Stub



61 BONGARD AVENUE, OTTAWA, ONTARIO CANADA K2E 6V2
 TEL: [613] 225-6398 • FAX: [613] 225-1681 • TOLL FREE: 1-800-267-6466
 www.utilitystructures.com



THE ROCKCLIFFE SERIES

OF CONCRETE POLES



UTILITY STRUCTURES INC.

61 BONGARD AVENUE, OTTAWA, ONTARIO CANADA K2E 6V2
TEL: [613] 225-6398 • FAX: [613] 225-1681 • TOLL FREE: 1-800-267-6466
www.utilitystructures.com

Actual product may vary from colours shown in photos. All information accurate at time of printing. Utility Structures Inc. is the owner and/or authorized user of all trademarks and logos. E.&O.E. Subject to change without notice. Printed in Canada. ©2014.