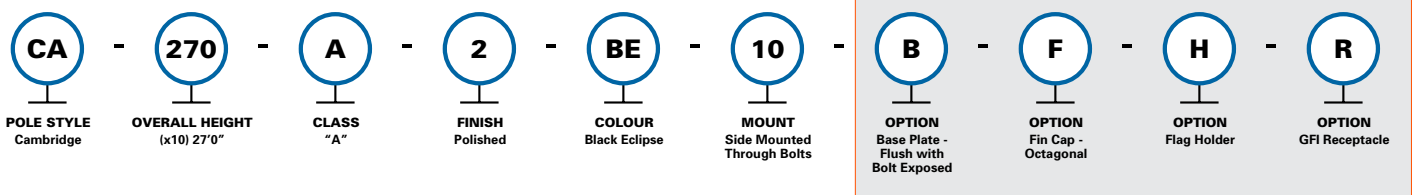


OPTIONS & ACCESSORIES

CODES AND DESCRIPTIONS

| CODE | DESCRIPTION | CODE | DESCRIPTION |
|------|---|------|-------------------------------|
| A | Aluminum Banner Arm | F | Fin Caps - Octagonal |
| A1 | Aluminum Banner Arm with Scroll | H | Flag Holder |
| A2 | Aluminum Banner Arm with Flower Pot Holder | L | Ladder Rest |
| A3 | Aluminum Banner Arm with Scroll and Flower Pot Holder | L1 | Ladder Rest with Scroll |
| A4 | Aluminum Breakaway Banner Arm | P | Interior Corrosion Protection |
| B | Base Plate - Flush with Bolts Exposed | R | GFI Receptacle |
| B1 | Base Plate - Hidden Bolt Pockets | S | Base Shroud - Square |
| B2 | Base Plate - Below Grade Stub | S1 | Base Shroud - Round |
| C | Custom Accessory | W | Wire Entry |
| D | Double Handhole Box | X | Exterior Silane Sealer |
| D2 | Double Handhole Box with Inline Breaker | | |

POSITION REFERENCE OF OPTIONS CODE IN TYPICAL CATALOGUE NUMBER



More than one option may be selected by adding the code(s) to the catalogue number.

OPTIONS & ACCESSORIES

A



Option A

Aluminum Banner Arm

Installed



61 BONGARD AVENUE, OTTAWA, ONTARIO CANADA K2E 6V2
 TEL: [613] 225-6398 • FAX: [613] 225-1681 • TOLL FREE: 1-800-267-6466
www.utilitystructures.com

E.&O.E. Subject to change without notice. Printed in Canada. ©2014

OPTIONS & ACCESSORIES

A1



Option A1
Aluminum Banner Arm
with Scroll

Installed



A2



Option A2
Aluminum Banner Arm
with Flower Pot Holder

Installed



A3



Option A3
Aluminum Banner Arm
with Scroll and Flower Pot Holder

Installed



A4



Option A4
Aluminum Breakaway Banner Arm

Installed



OPTIONS & ACCESSORIES

B



Option B

Base Plate - Flush with Bolts Exposed



Installed

B1



Option B1

Base Plate - Hidden Bolt Pockets



Installed

B2



Option B2

Base Plate - Below Grade Stub



Installed

C



Option C

Custom Accessory



Installed



61 BONGARD AVENUE, OTTAWA, ONTARIO CANADA K2E 6V2
TEL: [613] 225-6398 • FAX: [613] 225-1681 • TOLL FREE: 1-800-267-6466
www.utilitystructures.com

OPTIONS & ACCESSORIES

D



Option D
Double Handhole Box



Installed

D2



Option D2
Double Handhole Box
with Inline Breaker



Installed

F



Option F
Fin Caps - Octagonal



Installed

H



Option H
Flag Holder



Installed



OPTIONS & ACCESSORIES

L



Option L
Ladder Rest

Installed



L1



Option L1
Ladder Rest with Scroll

Installed



P



Option P
Interior Corrosion Protection

Extend the life of reinforced concrete, with this proven migratory corrosion inhibitor. It's a liquid concrete admixture that protects steel reinforcing and other metals embedded in concrete from corrosion induced carbonation, chloride and atmospheric attack. When incorporated into the concrete mix it forms a protective layer on all metals.

R



Option R
GFI Receptacle

Installed



OPTIONS & ACCESSORIES

S



Option S
Base Shroud - Square

Installed



S1



Option S1
Base Shroud - Round

Installed



W

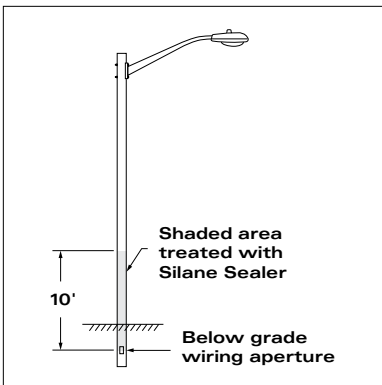


Option W
Wire Entry

Installed



X



Option X
Exterior Silane Sealer

Typically applied to plain grey streetlighting poles (ie HAMPTON SERIES) this Silane Sealer is a premium high performance, breathable, VOC penetrating, clear water repellant sealer. Treated surfaces still have a totally natural appearance. This sealer is very effective in stopping the intrusion of water, salt, chemicals and acids. Typically applied 10 feet above the wiring aperture, but special arrangements can be made for severe environments. Can only be used when acrylic sealer is not applied.

