

GR



THE GRANDVIEW SERIES

OF CONCRETE POLES



UTILITY STRUCTURES INC.



THE GRANDVIEW SERIES

PHYSICAL DETAILS

- Octagonal eight fluted symmetrical cross section.
- Standard taper of 9.5mm/metre (0.114"/foot).
- Standard mold, etched, exposed finishes are available in a variety of colours.
- Available in heights from 10 feet to 14 feet above grade.
- Will accept a variety of luminaire mounting styles.

GRANDVIEW SPECIFYING CHART

CLASS OF POLE	SPECIFYING POLE CODE [Style-Height-Class]	[A] POLE HEIGHT ABOVE GRADE [ft.]	[B] DIRECT BURIAL LENGTH [ft.]	[C] POLE TIP DIMENSION [in.]	[D] POLE BUTT DIAMETER [in.]	ULTIMATE GROUND LINE MOMENT [ft.lbs.]	NOMINAL POLE WEIGHT [lbs.]
A	GR-150-A	10	5	6 1/4	9 3/4	4800	1100
	GR-160-A	11	5	6	9 3/4	5400	1175
	GR-170-A	12	5	5 3/4	9 3/4	6000	1250
	GR-180-A	13	5	5 5/8	9 3/4	6600	1325
	GR-190-A	14	5	9 1/4*	9 3/4	7200	1400

NOTES: This chart outlines typical heights and class of poles for this style. Other sizes are available upon request. Pole height above grade based on recommended burial depth for normal soils. Ultimate ground line moment is calculated as follows: Height above grade minus 2 ft. times transverse bending strength. * Only the 14 feet above grade height of pole is available with the flared top.

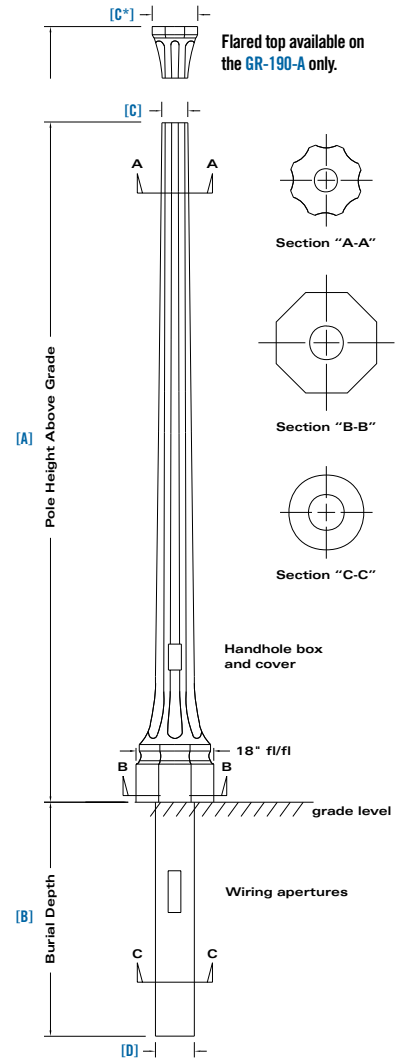


The Grandview Series

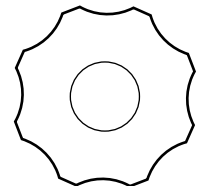


The Grandview Series base detail

TYPICAL POLE DETAIL



CROSS SECTION



FLUTED



61 BONGARD AVENUE, OTTAWA, ONTARIO CANADA K2E 6V2
 TEL: [613] 225-6398 • FAX: [613] 225-1681 • TOLL FREE: 1-800-267-6466
 www.utilitystructures.com

THE GRANDVIEW SERIES

Select SURFACE FINISH

The Grandview Series is available with 3 types of surface finishes.

CODE	DESCRIPTION
1	Mold finish
N/A	Polished finish
3	Etched finish
4	Exposed finish

Select COLOUR

The Grandview Series is available in all 12 colours. Please visit our Colours & Finishes section for complete information. Custom colours are available upon request.

CODE	DESCRIPTION	CODE	DESCRIPTION	CODE	DESCRIPTION
AR	Autumn Red	DR	Desert Rose	OJ	Oriental Jade
AJ	Aztec Jade	DS	Desert Sand	SP	Salt & Pepper
BE	Black Eclipse	ML	Midnight Lace	SB	Seluki Bronze
DB	Dark Bronze	NG	Natural Grey	VW	Venetian White



EXAMPLE OF TYPICAL CATALOG NUMBER



Select options as required.

Select FIXTURE MOUNT

The Grandview Series is available with 2 fixture mount options.

CODE	DESCRIPTION
30	Steel Tenon/Post Top
90	Custom Mount

Select OPTIONS & ACCESSORIES

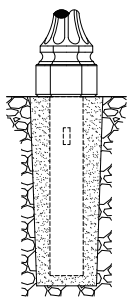
The Grandview Series has 19 standard options and accessories to choose from. Please visit our Options & Accessories section for complete information. Custom accessories are available upon request.

CODE	DESCRIPTION	CODE	DESCRIPTION
A	Aluminum Banner Arm	D2	Double Handhole Box with Inline Breaker
A1	Aluminum Banner Arm with Scroll	H	Flag Holder
A2	Aluminum Banner Arm with Flower Pot Holder	L	Ladder Rest
A3	Aluminum Banner Arm with Scroll and Flower Pot Holder	L1	Ladder Rest with Scroll
A4	Aluminum Breakaway Banner Arm	P	Interior Corrosion Protection
B	Base Plate - Flush with Bolts Exposed	R	GFI Receptacle
B1	Base Plate - Hidden Bolt Pockets	S	Base Shroud - Square
B2	Base Plate - Below Grade Stub	S1	Base Shroud - Round
C	Custom Accessory	X	Exterior Silane Sealer
D	Double Handhole Box		

FOOTING DETAILS

DIRECT BURIAL

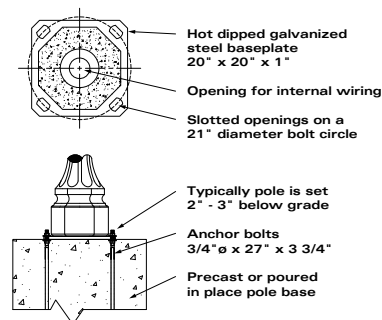
Standard and Cost Effective



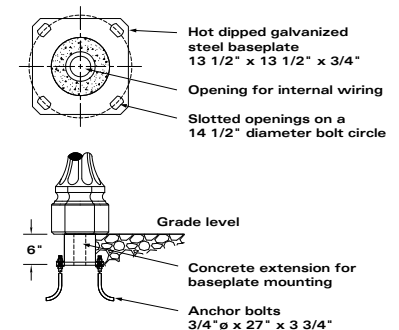
1. Auger the appropriate size hole.
2. Set pole in hole and plumb straight.
3. Backfill with specified material, tamping every 6".

Note: Generally the native material can be used for backfill. Depending on site conditions, alternative materials may be required.

OPTION B Base Plate - Flush with Bolts Exposed



OPTION B2 Base Plate - Below Grade Stub



61 BONGARD AVENUE, OTTAWA, ONTARIO CANADA K2E 6V2
 TEL: [613] 225-6398 • FAX: [613] 225-1681 • TOLL FREE: 1-800-267-6466
www.utilitystructures.com





THE GRANDVIEW SERIES

OF CONCRETE POLES



UTILITY STRUCTURES INC.

61 BONGARD AVENUE, OTTAWA, ONTARIO CANADA K2E 6V2
TEL: [613] 225-6398 • FAX: [613] 225-1681 • TOLL FREE: 1-800-267-6466
www.utilitystructures.com

Actual product may vary from colours shown in photos. All information accurate at time of printing. Utility Structures Inc. is the owner and/or authorized user of all trademarks and logos. E.&O.E. Subject to change without notice. Printed in Canada. ©2014.