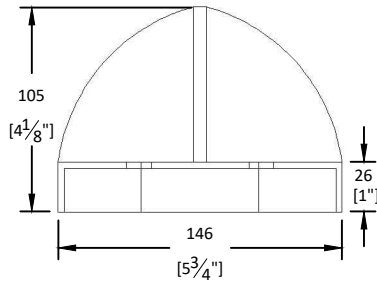
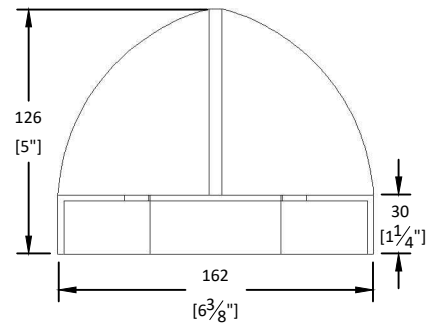


TYPE 1
5³/₈" fl/fl FIN CAP



TYPE 2
5³/₄" fl/fl FIN CAP



TYPE 3
6³/₈" fl/fl FIN CAP

NOTES:

1. AVAILABLE IN 3 SIZES
2. FOR OCTAGONAL POLES ONLY.
3. USI WILL CHOOSE THE CORRECT SIZE BASED ON POLE TIP SIZE.
4. FIN CAPS ARE AVAILABLE IN THREE DIFFERENT SIZES 5-3/8", 5-3/4", 6-3/8".
5. AVAILABLE IN VARIOUS COLOURS.
6. FIN CAP SUPPORTED WITH (2) 3/8" S.S. BOLTS.



UTILITY STRUCTURES INC.

61 BONGARD AVE | OTTAWA, ON | CANADA | K2E 6V2
T: 613.225.6398 F: 613.225.1681 TF: 800.267.6466
www.utilitystructures.com

OPTION :

F

FIN CAP - OCTAGONAL

REV. DATE : AUG 23, 2017