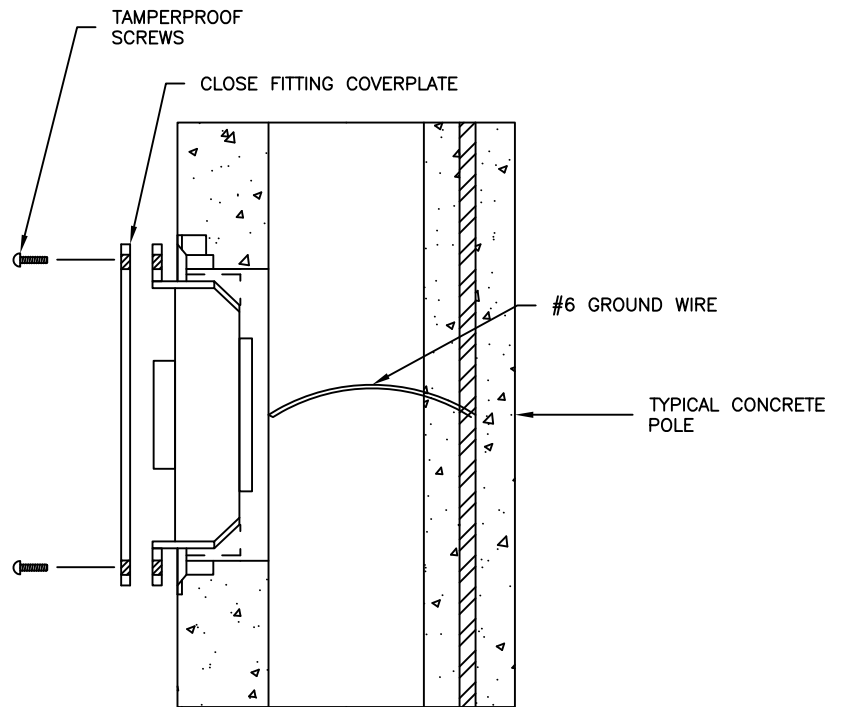


ELEVATION



SECTION 'A'

NOTES:

**SUPPLIED BY CUTLER HAMMER (IN-POLE BREAKER)

in.
[mm]



UTILITY STRUCTURES INC.

61 BONGARD AVE OTTAWA, ONTARIO, CANADA
PH: 800.267.6466 FAX: 613.225.1681