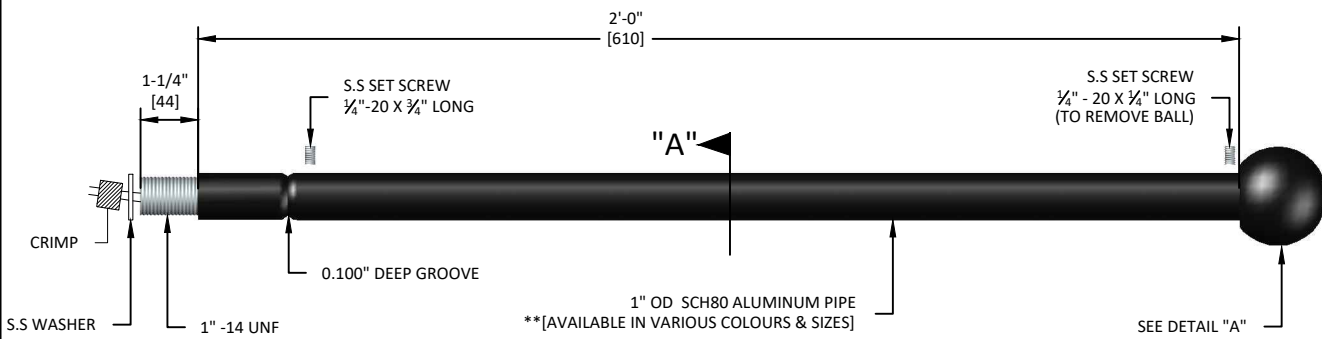
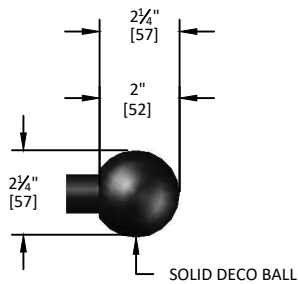


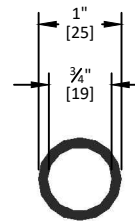
CONCRETE
POLE



ELEVATION



DETAIL "A"



SECTION "A"

NOTES:

1. BANNER ARM ATTACHED TO POLE WITH INSERT.
2. CONCRETE POLE COMES WITH CAST-IN ZINC INSERT TO FASTEN BANNER ARM.



UTILITY STRUCTURES INC.

61 BONGARD AVE | OTTAWA, ON | CANADA | K2E 6V2
T: 613.225.6398 F: 613.225.1681 TF: 800.267.6466
www.utilitystructures.com

OPTION :

A4

BREAK AWAY BANNER ARM

REV. DATE : AUG 23, 2017