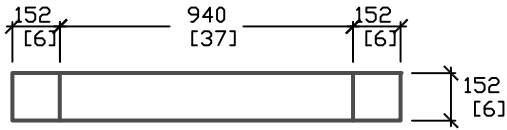


TAPER TOP DETAIL

CODE: S5-TT

PRODUCT
CODES

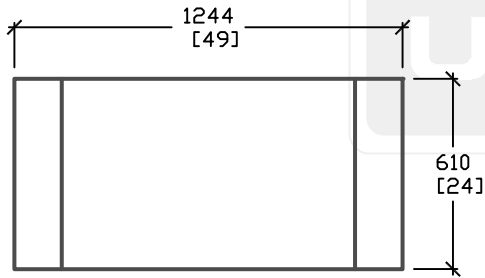
S-5(6)



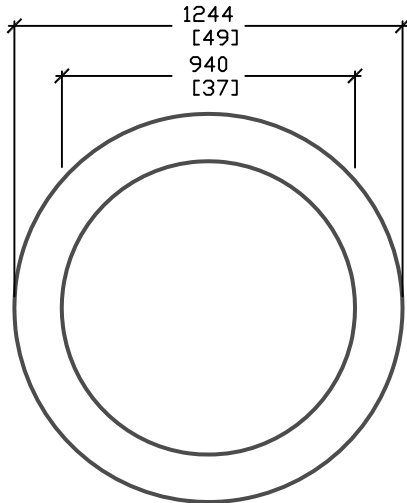
S-5(12)



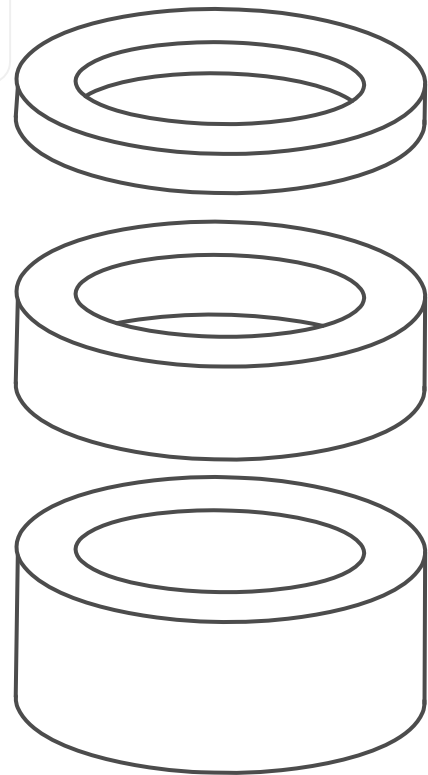
S-5(24)



ELEVATION



PLAN VIEW



ISOMETRIC VIEW

ALL DIMENSIONS DEFAULT TO MILLIMETERS

mm
[in.]



61 BONGARD AVE
OTTAWA, ON,
PH: 800.267.6466
FAX: 613.225.1681

www.utilitystructures.com

NOTES:

USE FOR: E35,E36,E37,E38,E39

*CSA 23.4-05
35MPa (5000psi) AT 28 DAYS
6-8% AIR ENTRAINED

REV.#	MM/DD/YYYY	PREP.
2	FEB/28/2009	LRW
3	NOV/19/2009	LRW

S-5

37" ELECTRIC MANHOLE
SPACER & TAPER TOP

WEIGHT = VARIES

940mm dia. [I.D.]