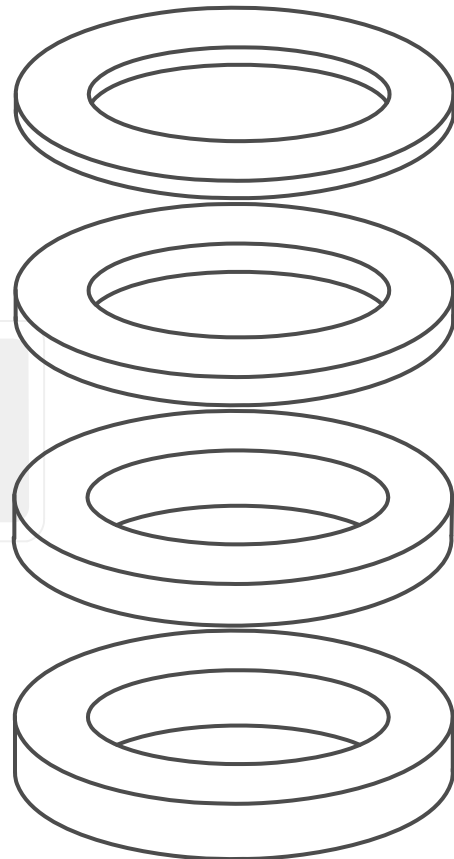
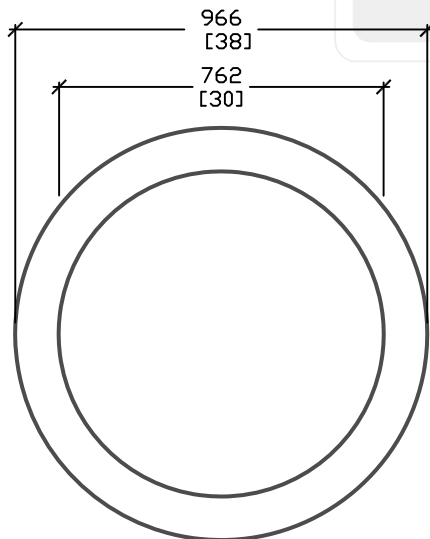


**ELEVATION**



ALL DIMENSIONS DEFAULT TO MILLIMETERS

mm  
[in.]



61 BONGARD AVE  
OTTAWA, ON,  
PH: 800.267.6466  
FAX: 613.225.1681

www.utilitystructures.com

**NOTES:**

\*CSA 23.4-05  
35MPa (5000psi) AT 28 DAYS  
6-8% AIR ENTRAINED

| REV.# | MM/DD/YYYY   | PREP. |
|-------|--------------|-------|
| 1     | JULY/25/2008 | LRW   |
| 2     | FEB/28/2009  | LRW   |

**S-4**

30" ADJUSTERS

WEIGHT = VARIES

**760mm dia. [I.D.]**