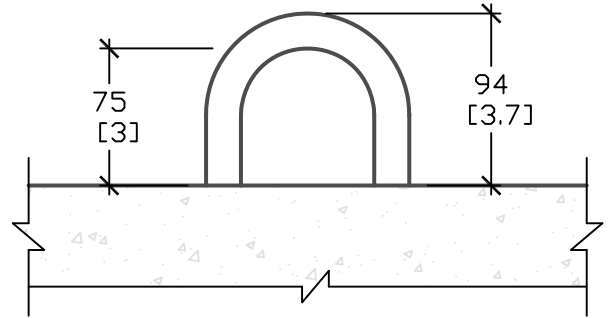
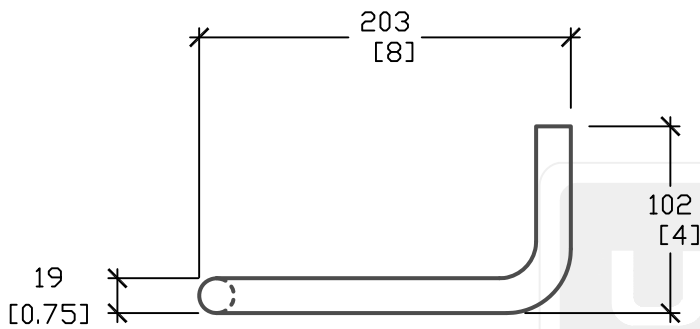


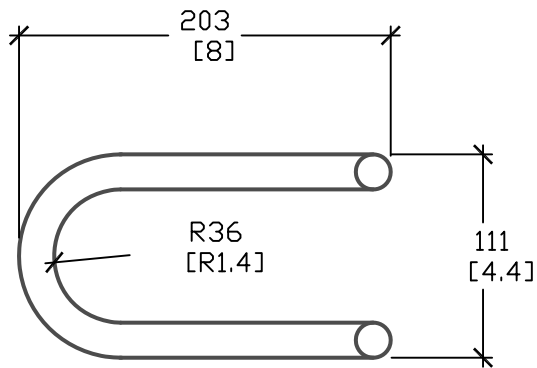
FRONT ELEVATION



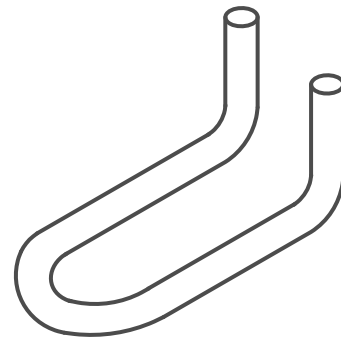
UNIT INSTALLED



SIDE ELEVATION



PLAN VIEW



ISOMETRIC

ALL DIMENSIONS DEFAULT TO MILLIMETERS

mm
[in.]



61 BONGARD AVE
OTTAWA, ON,
PH: 800.267.6466
FAX: 613.225.1681

www.utilitystructures.com

NOTES:

HOT DIPPED GALVANIZED STEEL
3/4" COLD ROLLED C1018 STEEL BAR

REV.#	MM/DD/YYYY	PREP.
1	OCT/09/2008	LRW

PULLING IRON

WEIGHT = N/A

19mm Ø x 203mm