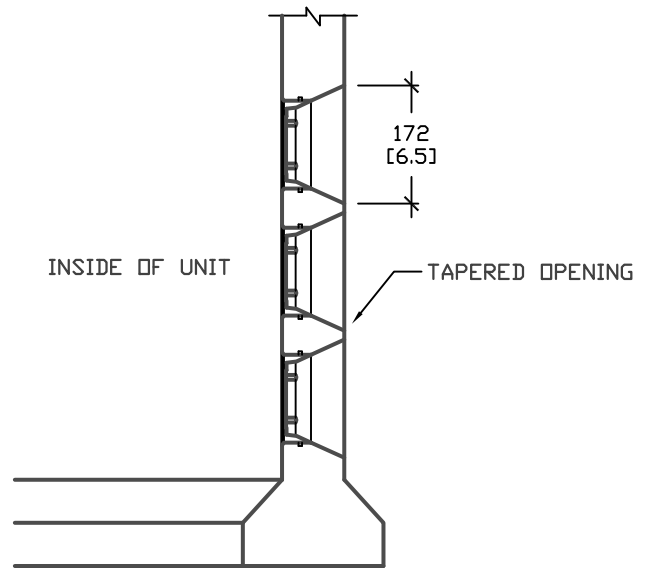
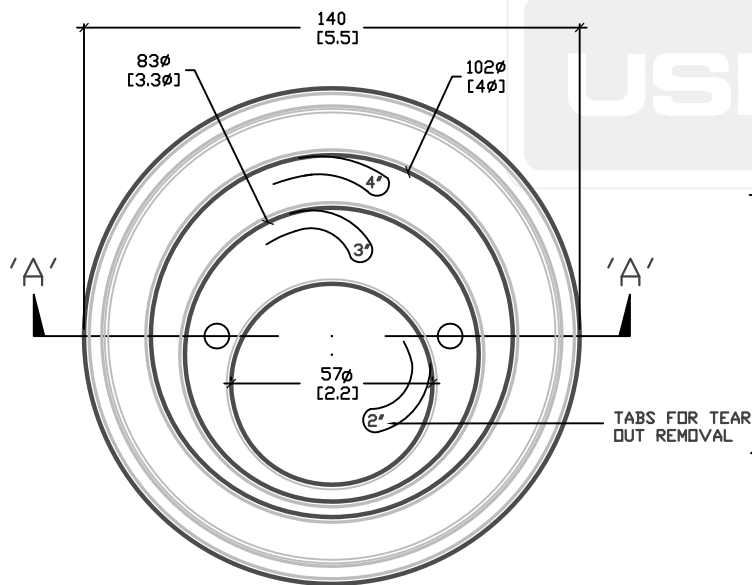


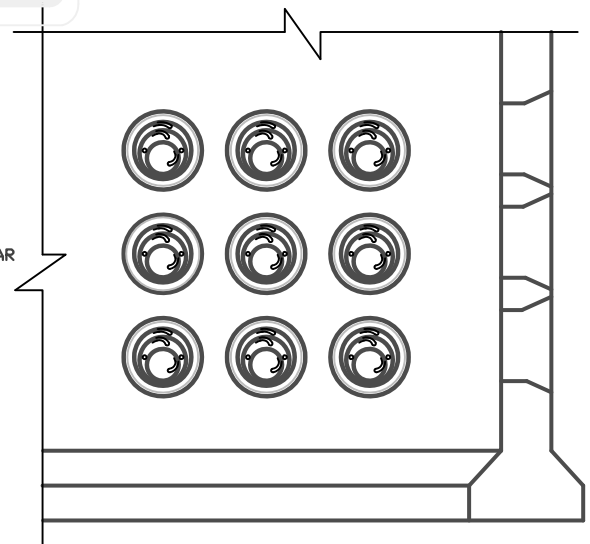
CROSS SECTION 'A'



INSTALLED PROFILE



PLAN VIEW



INSTALLED

ALL DIMENSIONS DEFAULT TO MILLIMETERS

mm  
[in.]



61 BONGARD AVE  
OTTAWA, ON,  
PH: 800.267.6466  
FAX: 613.225.1681

www.utilitystructures.com

NOTES:

FOR 2", 3", & 4" SDR-35 OR SCHD-40

POLY LOK SHOWN AS INSTALLED ON  
A E-1 BASE

REV.#	MM/DD/YYYY	PREP.
1	SEP/16/2008	LRW

**POLYLOK**  
DUCT TERMINATOR

WEIGHT = N/A

**127mm dia.**