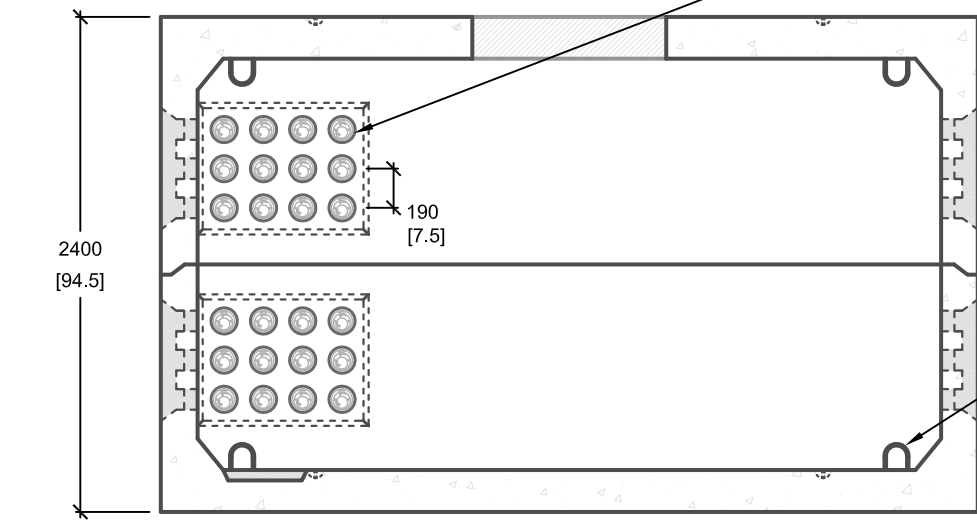


**CROSS SECTION 'A'**

**CROSS SECTION 'B'**

**PLAN VIEW**

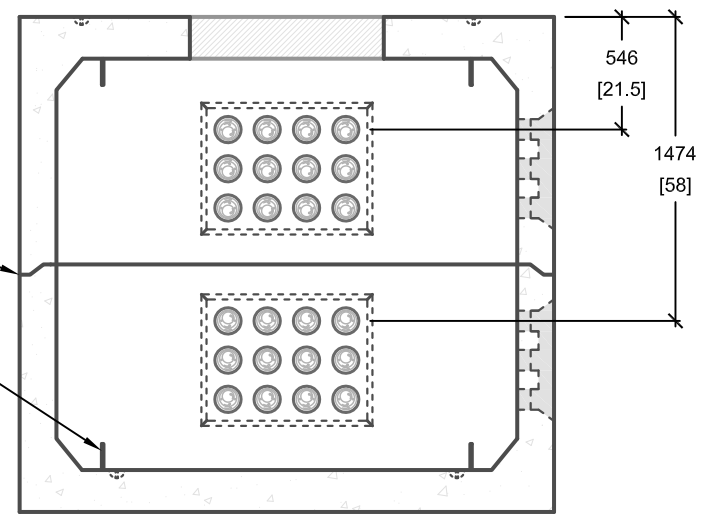
(8) DUCT ENTRY WINDOW:  
(16) 127mm[5"] POLYLOKS PER WINDOW  
AT 190mm[7.5"] SPACING  
SEE NOTE "A"



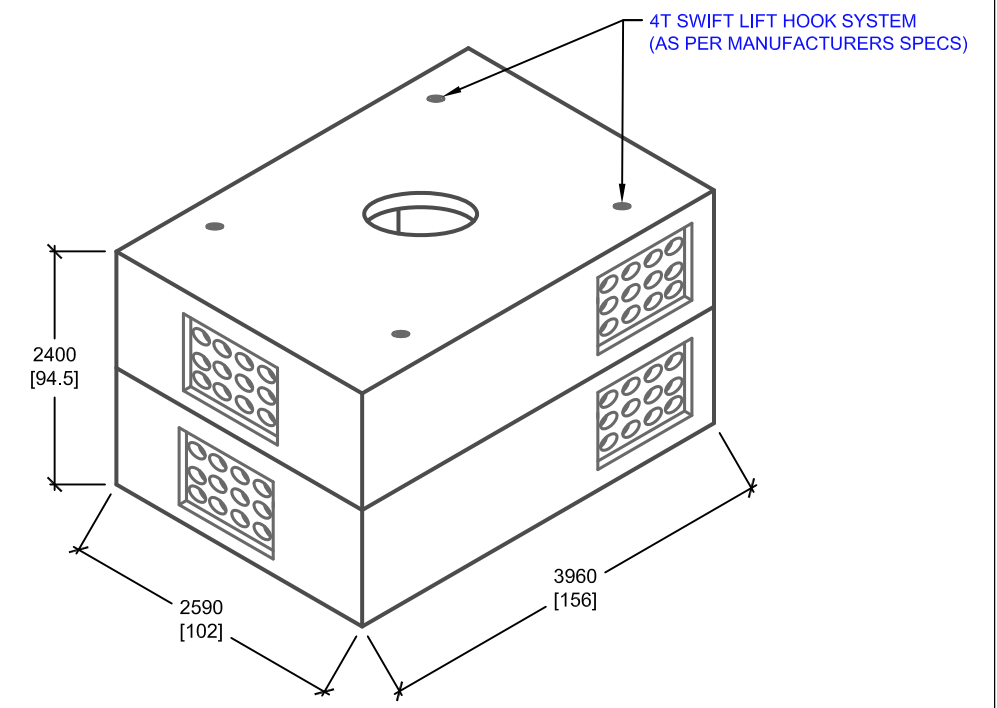
**CROSS SECTION 'C'**

BUTYL RUBBER  
GASKET APPLIED  
TO JOINT

GALVANIZED  
PULLING IRON  
SEE NOTE "C"




**CROSS SECTION 'D'**



4T SWIFT LIFT HOOK SYSTEM  
(AS PER MANUFACTURERS SPECS)

NOTE: MINIMUM SOIL BEARING CAPACITY TO BE 100kpa (TO BE CONFIRMED ON SITE / BACKFILLING TO BE APPROVED BY A GEOTECHNICAL ENGINEER)

 <b>UTILITY STRUCTURES INC.</b> 61 BONGARD AVE   OTTAWA, ON   K2E 6V2 T: 613.225.6398 F: 613.225.1681 TF: 800.267.6466 <a href="http://www.utilitystructures.com">www.utilitystructures.com</a>	<b>CONSTRUCTION DETAILS:</b> <ul style="list-style-type: none"> <li>DESIGNED TO CL-625-ONT TRUCK LIVE LOADING AS PER CSA S6-06</li> </ul>	<b>NOTES:</b> A. (8) 127mm[5"] POLYLOK PIPESEAL WINDOWS (12 POLYLOKS PER WINDOW) B. (1) 400mm[16"] x 400mm[16"] SUMP BOX C. (8) GALVANIZED PULLING IRONS	<b>PRODUCT DETAILS:</b> <ul style="list-style-type: none"> <li>INSIDE DIMENSIONS: 1.99m[78.5"](H) x 2234mm[88"] x 3604mm[142"]</li> <li>OUTSIDE DIMENSIONS: 2.4m[94.5"](H) x 2590mm[102"] x 3960mm[156"]</li> <li>ESTIMATED WEIGHTS:            MANHOLE TOP: 9,700 kg / 21,340 lbs            MANHOLE BASE: 10,000 kg / 22,000 lbs</li> </ul>	<b>INSTALLATION NOTES:</b> <ul style="list-style-type: none"> <li>MINIMUM SOIL BEARING CAPACITY TO BE 100kpa (TO BE CONFIRMED ON SITE / BACKFILLING TO BE APPROVED BY A GEOTECHNICAL ENGINEER).</li> <li>SEISMIC CLASS OF SOIL TO BE 'D' OR BETTER.</li> <li>CUSTOM WINDOWS AND OPENINGS AVAILABLE</li> </ul>	<b>PRODUCT CODE:</b> <h1 style="margin: 0;">E-812MH</h1> <p style="margin: 0;">8' x 12' ELECTRICAL MANHOLE</p>	
	<ul style="list-style-type: none"> <li>CSA 23.4-05</li> <li>35 MPa (5000psi) AT 28 DAYS</li> <li>STRIPPING STRENGTH: MIN. 20 MPa(2900psi)</li> <li>5-8% AIR ENTRAINED</li> <li>EXPOSURE CLASS: F-1</li> <li>REINFORCING: STEEL TO CSA CAN A23.1</li> </ul>					<b>INSIDE DIMENSIONS:</b> <h2 style="margin: 0;">2.4m(H) X 2234mm x 3604mm</h2>
						<b>ESTIMATED TOTAL WEIGHT:</b> <h2 style="margin: 0;">19,700 kg / 43,340 lbs</h2>
						<b>REVISION DATE:</b> JULY 16, 2015 <span style="float: right;"><b>REV. # 1</b></span>