

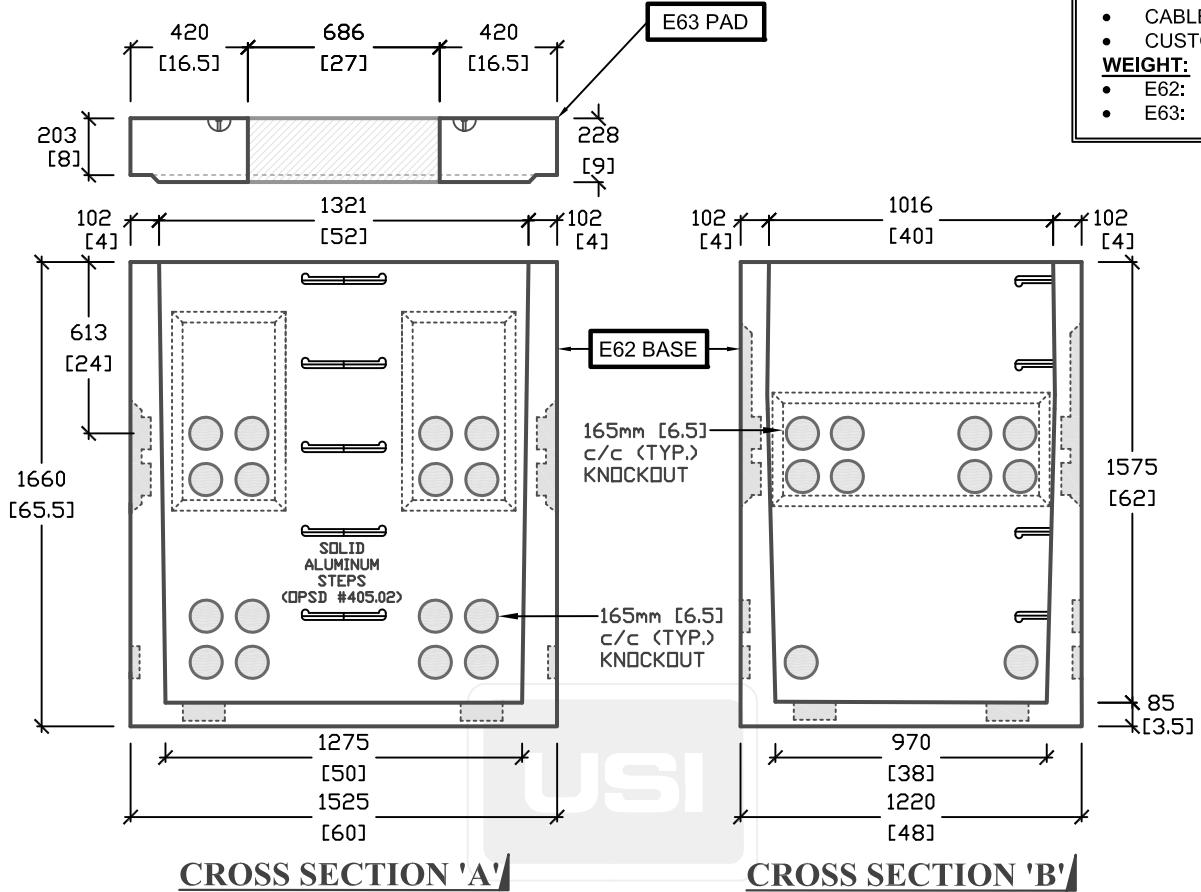
# 4' x 5' O.D. COMMUNICATION MANHOLE

## OPTIONS AVAILABLE:

- PULLING EYES
- CABLE RACKS
- CUSTOM OPENINGS

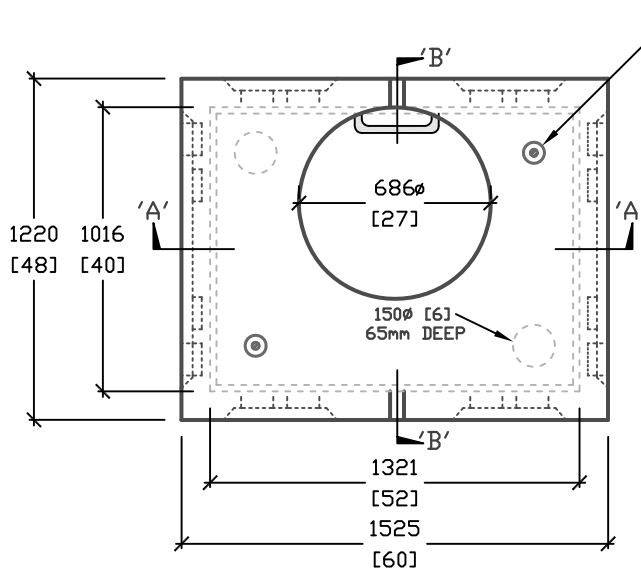
## WEIGHT:

- E62: 2150kg
- E63: 900kg

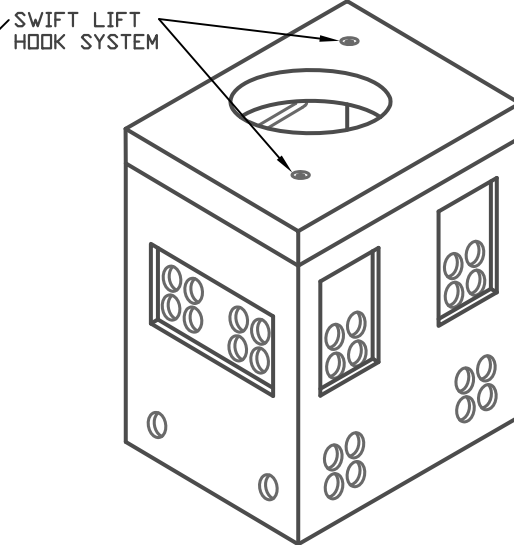


**CROSS SECTION 'A'**

**CROSS SECTION 'B'**



**PLAN VIEW**  
(E62 BASE)



**ISOMETRIC VIEW**

ALL DIMENSIONS DEFAULT TO MILLIMETERS

mm  
[in.]



61 BONGARD AVE  
OTTAWA, ON,  
PH: 800.267.6466  
FAX: 613.225.1681

E62 BASE & E63 PAD  
DESIGNED TO CL-625-DNT TRUCK  
LIVE LOADING AS PER CSA S6-06

\*CSA 23.4-05  
35MPa (5000psi) AT 28 DAYS  
6-8% AIR ENTRAINED

# E62<sup>c</sup> / E63<sub>w</sub>

COMMUNICATION MANHOLE

TOTAL WEIGHT = 3050kg

www.utilitystructures.com

REV.#	MM/DD/YYYY	PREP.
4	OCT/29/2012	EG
5	OCT/07/2013	EG

**1.86m(H) x 1016mm x 1321mm (I.D.)**