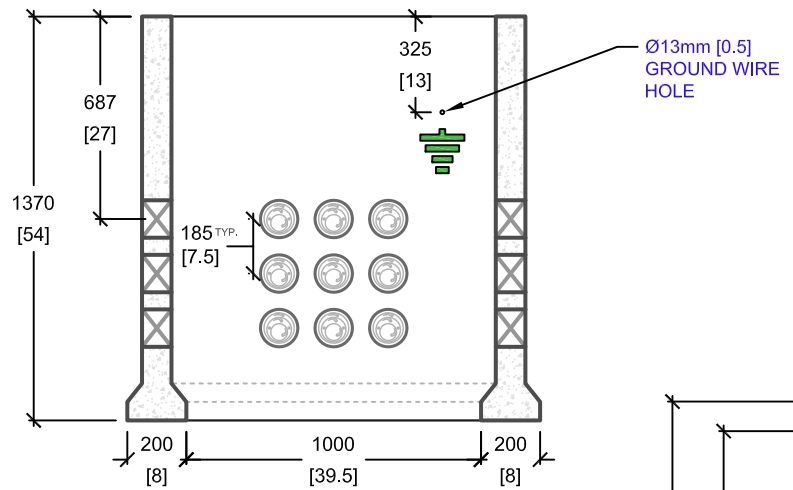
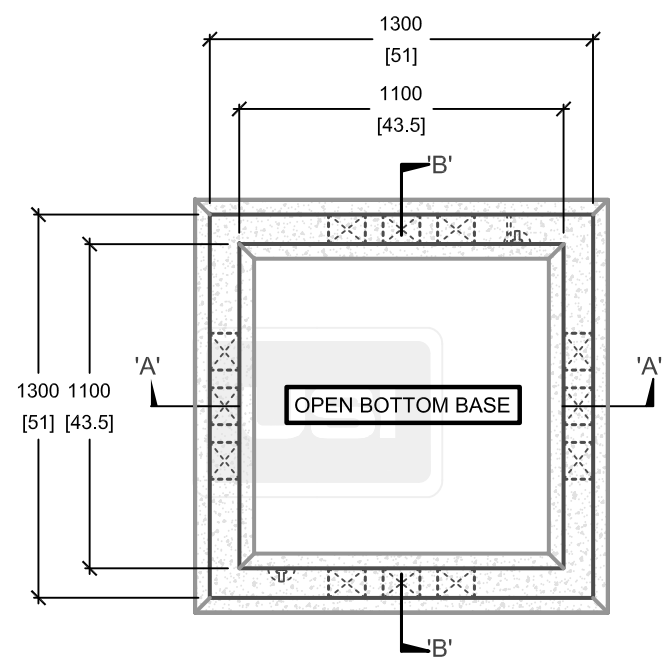


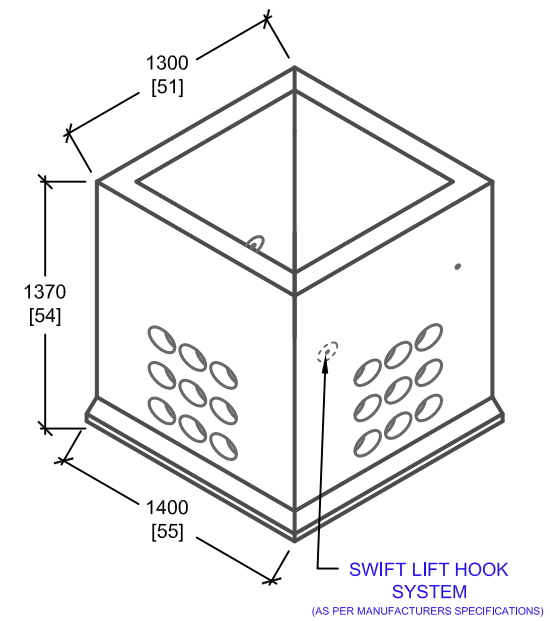
LOAD REQUIREMENTS	
DISTRIBUTED LATERAL LOAD	25kN/m
TOP SLAB DISTRIBUTED LOAD	60kN/m
TOP SLAB POINT LOAD	70kN/m



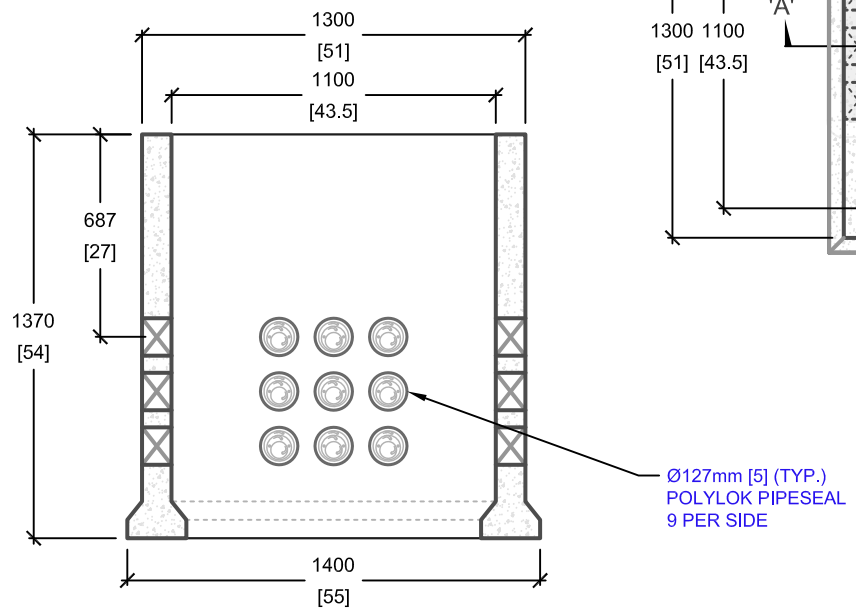
CROSS SECTION 'B'



PLAN VIEW



ISOMETRIC VIEW



CROSS SECTION 'A'

mm
[Inches]
ALL DIMENSIONS DEFAULT TO MILLIMETRES



UTILITY STRUCTURES INC.

61 BONGARD AVE | OTTAWA, ON | K2E 6V2
T: 613.225.6398 F: 613.225.1681 TF: 800.267.6466

www.utilitystructures.com

CONSTRUCTION DETAILS:

- REFERENCE **HYDRO OTTAWA UCS0003**
- TO BE USED WITH SINGLE PHASE PAD DWG# E-7
- **CSA 23.4**
 - 35 MPa (5000psi) AT 28 DAYS
 - STRIPPING STRENGTH: MIN. 20 MPa(2900psi)
 - 5-8% AIR ENTRAINED
 - EXPOSURE CLASS: C-1
- REINFORCING: STEEL TO CSA CAN A23.1

PRODUCT DETAILS:

- (4) 127mm[5"] POLYLOK PIPESEAL WINDOWS (9 POLYLOKS PER WINDOW)
- SINGLE PHASE BASE 25kVA TO 167kVA
- CLOSED BOTTOM KINGSTON UTILITIES VERSION AVAILABLE(DWG# E-6B)
- CUSTOM OPTIONS AVAILABLE:
 - CUSTOM WINDOWS & OPENINGS

PRODUCT CODE:

E-6

SINGLE PHASE TRANSFORMER BASE

INSIDE DIMENSIONS:

1.37m(H) x 1300mm x 1300mm

TOTAL WEIGHT:

1,370 kg / 3,015 lbs

REVISION DATE:

SEPTEMBER 15, 2017

REV. # 6