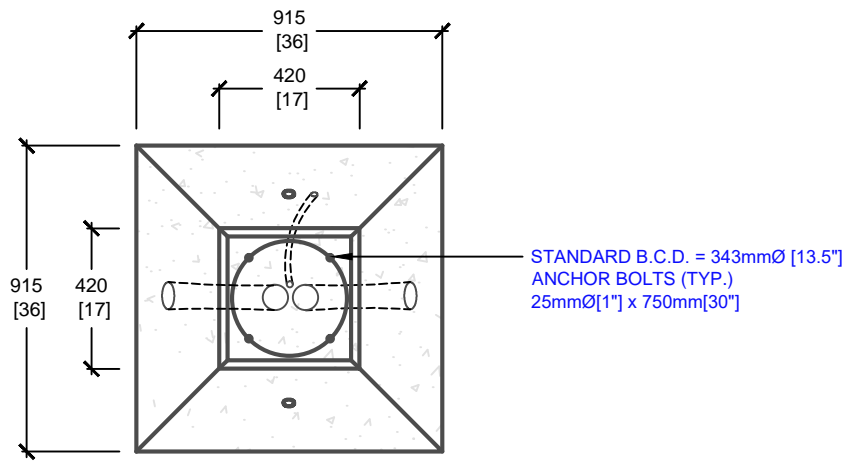
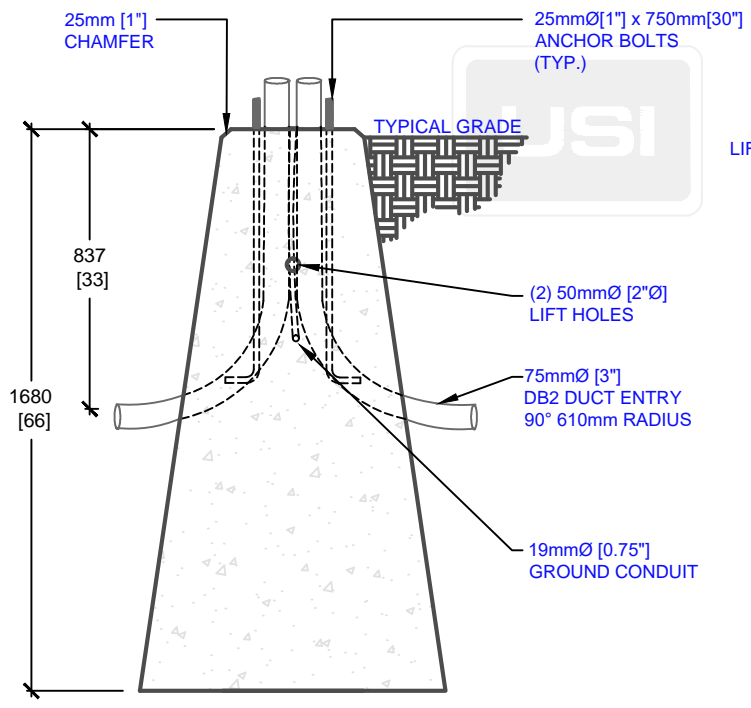


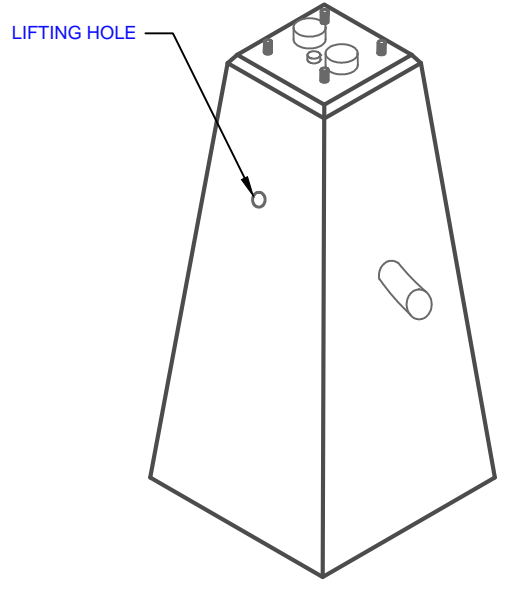
- CUSTOM BOLT CIRCLE DIAMETER AVAILABLE
- CUSTOM DUCT ENTRIES AVAILABLE



PLAN VIEW



SIDE ELEVATION



ISOMETRIC VIEW

mm
[Inches]
ALL DIMENSIONS DEFAULT TO MILLIMETRES



UTILITY STRUCTURES INC.
61 BONGARD AVE | OTTAWA, ON | K2E 6V2
T: 613.225.6398 F: 613.225.1681 TF: 800.267.6466
www.utilitystructures.com

- CONSTRUCTION DETAILS:**
- AS PER CITY OF OTTAWA LID002D TYPE "A"
 - CAN ACCOMMODATE A 37' POLE ABOVE GRADE
 - BOLT CIRCLE DIAMETER: 343mmØ[13.5"Ø]
 - CUSTOM BOLT CIRCLE DIAMETER AVAILABLE

- CSA 23.4-05
- 35 MPa (5000psi) AT 28 DAYS
- STRIPPING STRENGTH: MIN. 20 MPa(2900psi)
- 5-8% AIR ENTRAINED
- EXPOSURE CLASS: C-1
- REINFORCING: STEEL TO CSA CAN A23.1

PRODUCT CODE:		E-52-66	
5'-6" SQUARE PYRAMID POLE BASE			
DIMENSIONS:			
1.68m(H) X 915mm x 915mm			
TOTAL WEIGHT:			
1,937 kg / 4,270 lbs			
REVISION DATE:		MAY 17, 2017	REV. # 1