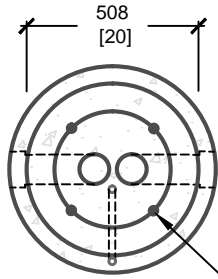


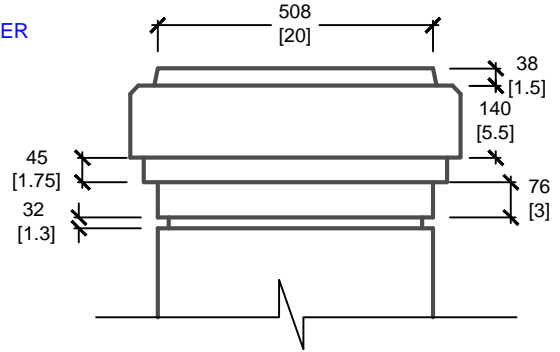
PRODUCT CODE	POLE HEIGHT (ft.)	BASE BURIAL DEPTH (ft.)	OVERALL LENGTH "X" (ft.)	WEIGHT (kg/lbs.)
E-50-20DR(8)	10-15	5	8	1,250kg / 2,750lbs
E-50-20DR(9)	16-20	6	9	1,400kg / 3,100lbs
E-50-20DR(10)	21-25	7	10	1,550kg / 3,400lbs
E-50-20DR(11)	26-30	8	11	1,700kg / 3,750lbs
E-50-20DR(12)	31-35	9	12	1,850kg / 4,100lbs

\* BASE BURIAL DEPTH SUBJECT TO SOIL CONDITIONS, REFER TO SOIL REPORT

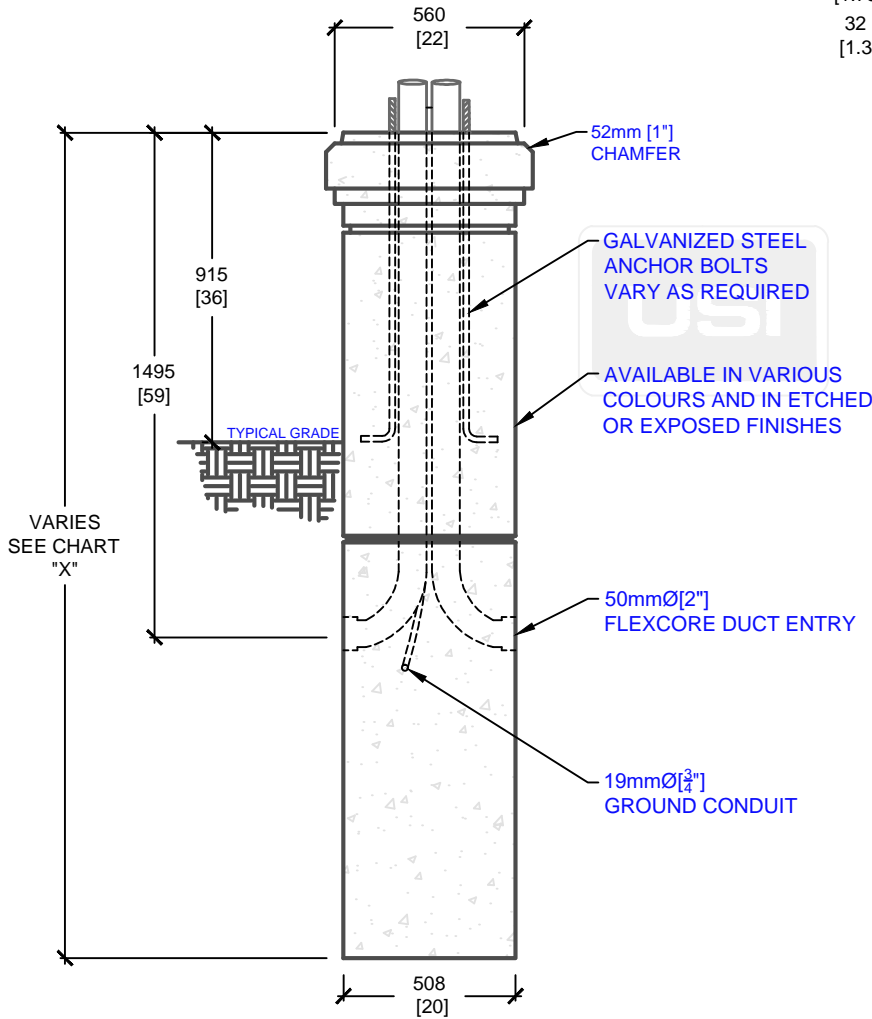


**PLAN VIEW**

BOLT CIRCLE DIAMETER AS REQUIRED



**ISOMETRIC VIEW**



**SIDE ELEVATION**

VARIES SEE CHART "X"

mm  
[Inches]  
ALL DIMENSIONS DEFAULT TO MILLIMETRES



**UTILITY STRUCTURES INC.**

61 BONGARD AVE | OTTAWA, ON | K2E 6V2  
T: 613.225.6398 F: 613.225.1681 TF: 800.267.6466

[www.utilitystructures.com](http://www.utilitystructures.com)

**CONSTRUCTION DETAILS:**

- ACCOMMODATES VARIOUS POLE HEIGHTS
- AVAILABLE IN VARIOUS COLOURS & FINISHES
- ADJUSTABLE BOLT CIRCLE DIAMETER
- BOLT CIRCLE DIAMETER: 150mm[6"] TO 305mm[12"]

- CSA 23.4-05
- 35 MPa (5000psi) AT 28 DAYS
- STRIPPING STRENGTH: MIN. 20 MPa(2900psi)
- 5-8% AIR ENTRAINED
- EXPOSURE CLASS: C-1
- REINFORCING: STEEL TO CSA CAN A23.1

**PRODUCT CODE:**

**E-50-20DR(H)**  
20" DECORATIVE PARKING LOT POLE BASE

**DIMENSIONS:**

**VARIES(H) X 508mm dia.**

**TOTAL WEIGHT:**

**VARIES**

**REVISION DATE:**

**MAY 19, 2017**

**REV. # 1**