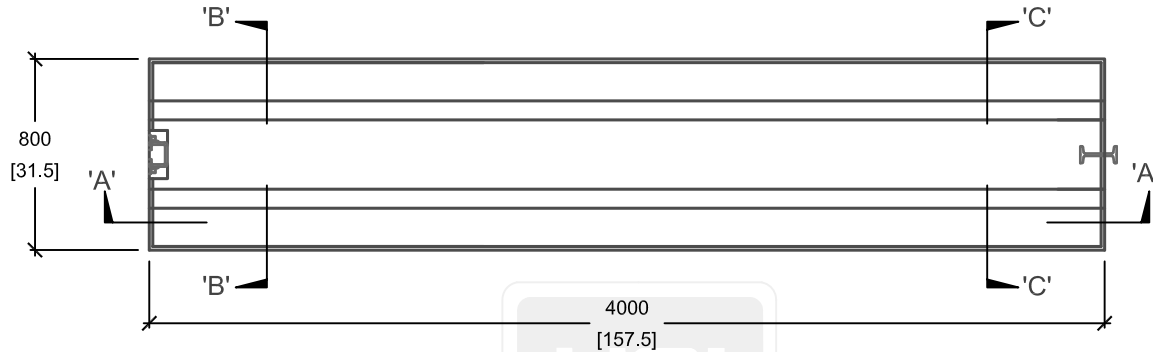
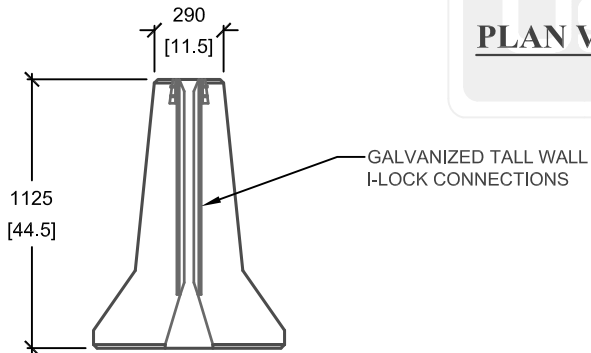


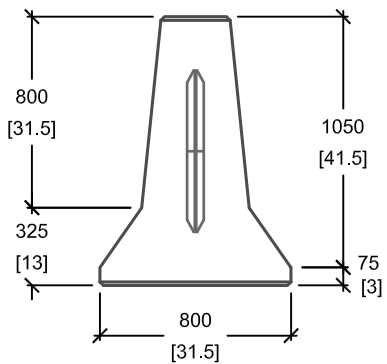
CROSS SECTION 'A'



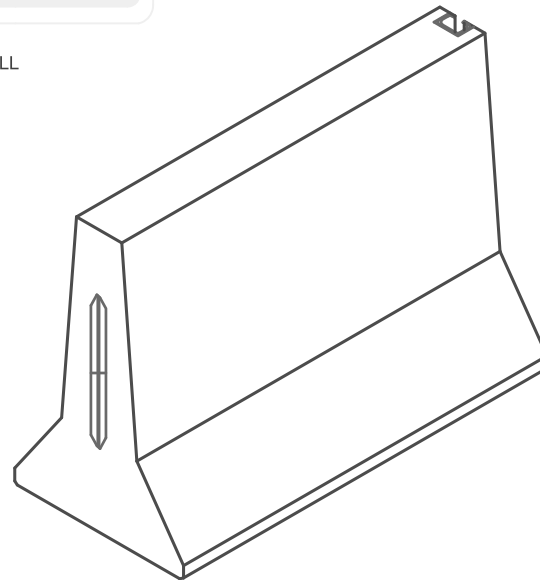
PLAN VIEW



CROSS SECTION 'B'



CROSS SECTION 'C'



ISOMETRIC VIEW

mm
[Inches]
ALL DIMENSIONS DEFAULT TO MILLIMETRES



UTILITY STRUCTURES INC.

61 BONGARD AVE | OTTAWA, ON | K2E 6V2
T: 613.225.6398 F: 613.225.1681 TF: 800.267.6466

www.utilitystructures.com

CONSTRUCTION DETAILS:

- AS PER OPSD 911.143 (NOV 2013)
- GALVANIZED I-LOCK CONNECTIONS
- AVAILABLE IN VARIOUS LENGTHS
- DRAINAGE GAP AVAILABLE

- CSA 23.4-05
 - 35 MPa (5000psi) AT 28 DAYS
 - STRIPPING STRENGTH: MIN. 20 MPa(2900psi)
 - 5-8% AIR ENTRAINED
 - EXPOSURE CLASS: C-1
- REINFORCING: STEEL TO CSA CAN A23.1

PRODUCT CODE:

E-49

TALL WALL I-LOCK BARRIER

DIMENSIONS:

1.125m(H) x 4000mm(L)

TOTAL WEIGHT:

5,200 kg / 11,440 lbs

REVISION DATE:

FEBRUARY 18, 2016

REV. # 5