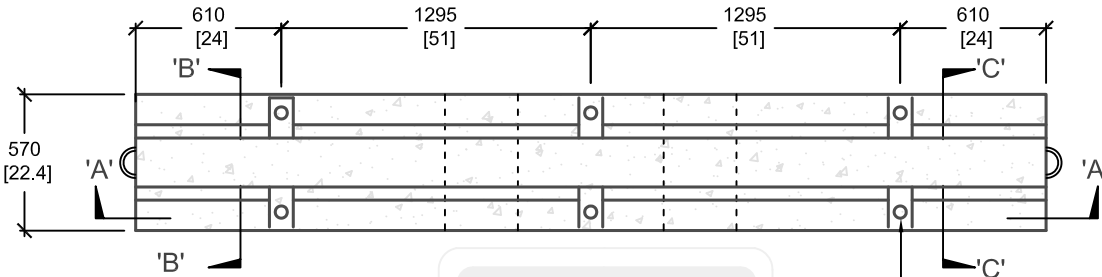
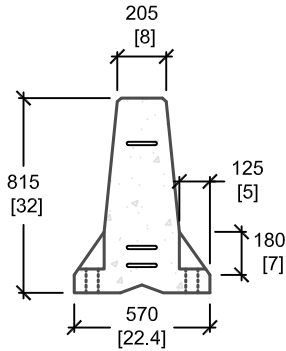


CROSS SECTION 'A'

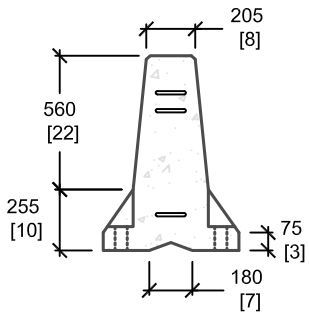


PLAN VIEW

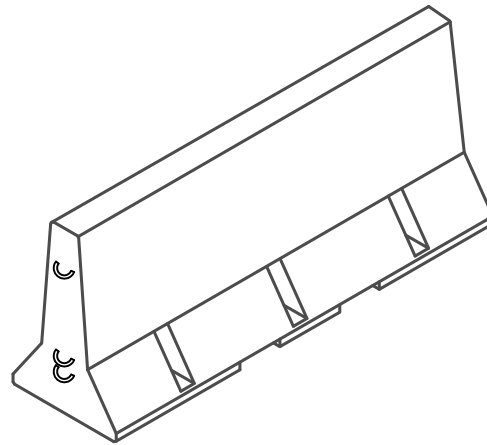
PIN HOLE
51mm dia. [2"]



CROSS SECTION 'B'



CROSS SECTION 'C'



ISOMETRIC VIEW

mm
[Inches]
ALL DIMENSIONS DEFAULT TO MILLIMETRES



UTILITY STRUCTURES INC.

61 BONGARD AVE | OTTAWA, ON | K2E 6V2
T: 613.225.6398 F: 613.225.1681 TF: 800.267.6466

www.utilitystructures.com

CONSTRUCTION DETAILS:

- AS PER [OPSD 911.160 \(NOV 2013\)](#)
- TYPE-M (PIN & LOOP) CONNECTION
- 32mm x 711mm CONNECTION PINS ([OPSD 911.161](#)) NOT INCLUDED

- CSA 23.4-05
- 35 MPa (5000psi) AT 28 DAYS
- STRIPPING STRENGTH: MIN. 20 MPa(2900psi)
- 5-8% AIR ENTRAINED
- EXPOSURE CLASS: C-1
- REINFORCING: STEEL TO CSA CAN A23.1

PRODUCT CODE:

E-43

TYPE-M CONNECTION 3.8m BARRIER

DIMENSIONS:

0.815m(H) x 3810mm(L)

TOTAL WEIGHT:

2,425 kg / 5,350lbs

REVISION DATE:

FEBRUARY 23, 2016

REV. # 4