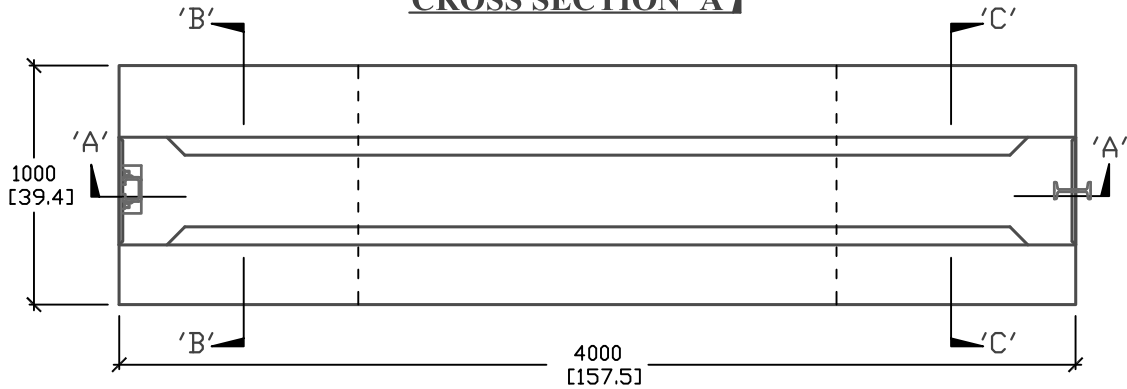
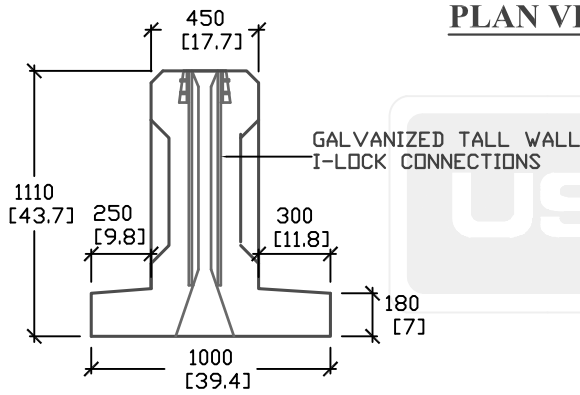


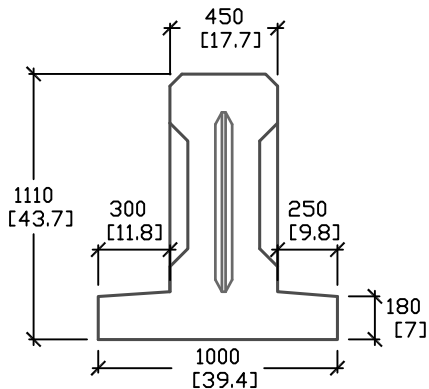
CROSS SECTION 'A'



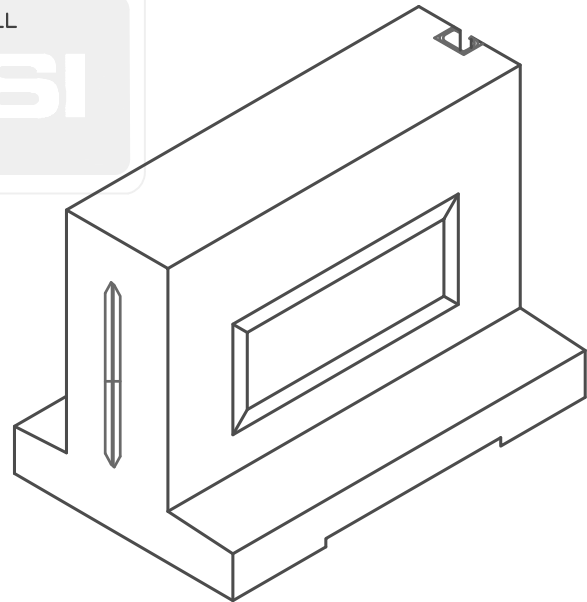
PLAN VIEW



CROSS SECTION 'B'



CROSS SECTION 'C'



ISOMETRIC VIEW

ALL DIMENSIONS DEFAULT TO MILLIMETERS

mm
[in.]



61 BONGARD AVE
OTTAWA, ON,
PH: 800.267.6466
FAX: 613.225.1681

www.utilitystructures.com

NOTES:

AVAILABLE IN VARIOUS
COLOURS AND FINISHES

*CSA 23.4-05
35MPa (5000psi) AT 28 DAYS
6-8% AIR ENTRAINED

REV.#	MM/DD/YYYY	PREP.
1	AUG/06/2008	LRW
2	MAR/01/2009	LRW

E-42

DECORATIVE SECURITY
BARRIER

WEIGHT = 5600kg/12350lbs

1.1m(H) x 4000mm(L)