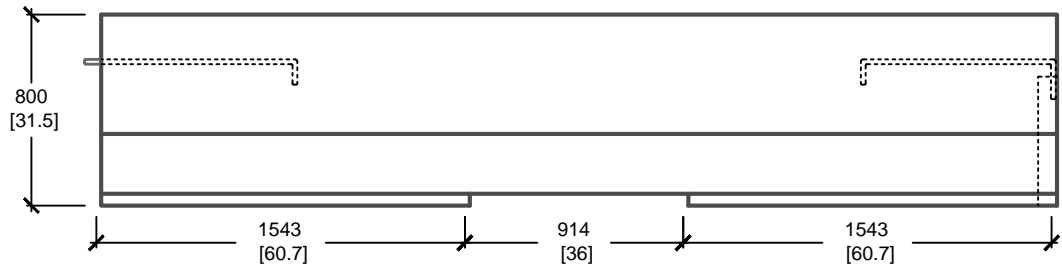
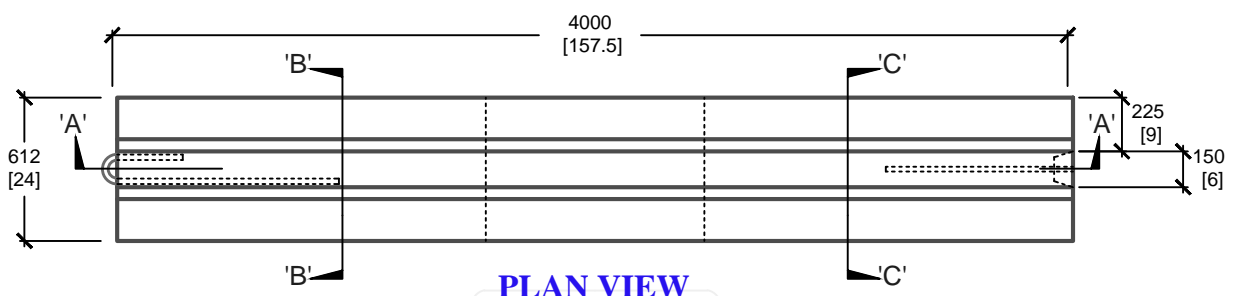


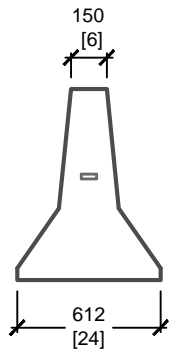
* AVAILABLE IN ANY LENGTH (MAXIMUM 4.0m) *



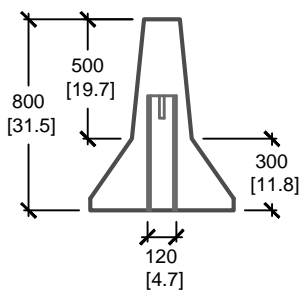
CROSS SECTION 'A'



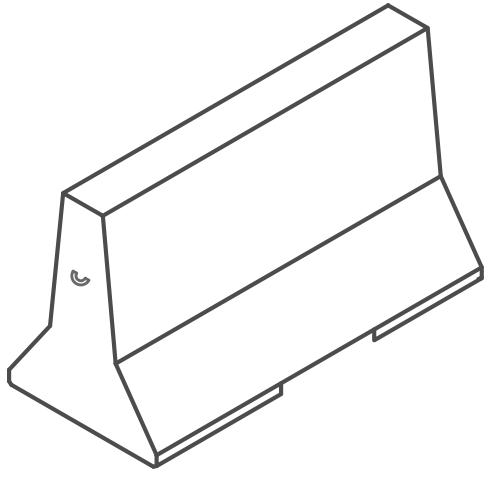
PLAN VIEW



CROSS SECTION 'B'



CROSS SECTION 'C'



ISOMETRIC

mm [Inches]
ALL DIMENSIONS DEFAULT TO MILLIMETRES



UTILITY STRUCTURES INC.
61 BONGARD AVE | OTTAWA, ON | K2E 6V2
T: 613.225.6398 F: 613.225.1681 TF: 800.267.6466
www.utilitystructures.com

CONSTRUCTION DETAILS:

- AVAILABLE IN VARIOUS LENGTHS, COLOURS, AND FINISHES
- HOOK AND EYE CONNECTION

- CSA 23.4-05
- 35 MPa (5000psi) AT 28 DAYS
- STRIPPING STRENGTH: MIN. 20 MPa(2900psi)
- 5-8% AIR ENTRAINED
- EXPOSURE CLASS: C-1
- REINFORCING: STEEL TO CSA CAN A23.1

PRODUCT CODE:
E-41
HOOK & EYE BARRIER

DIMENSIONS:
800mm(H) x 4000mm(L)

TOTAL WEIGHT:
2,268 kg / 5,000 lbs

REVISION DATE: **JANUARY 4, 2018** REV. # 4