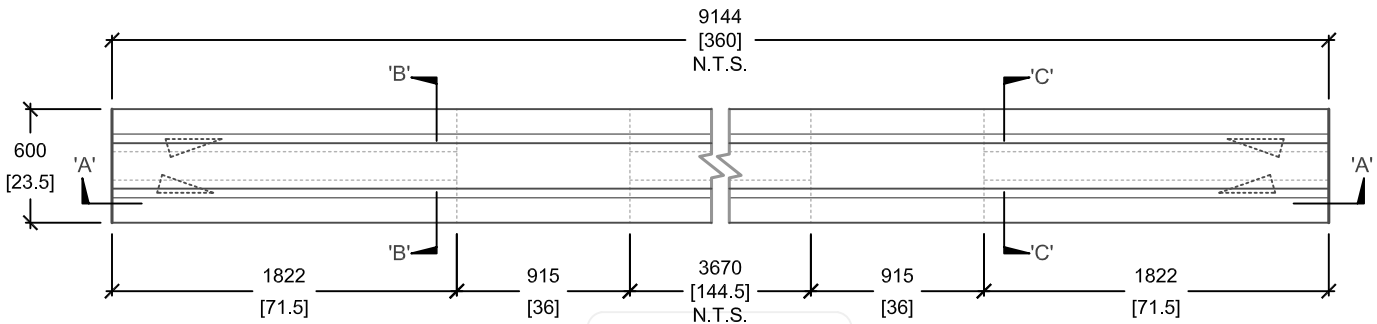
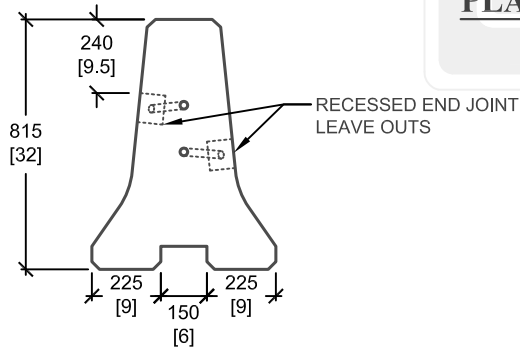


**CROSS SECTION 'A'**

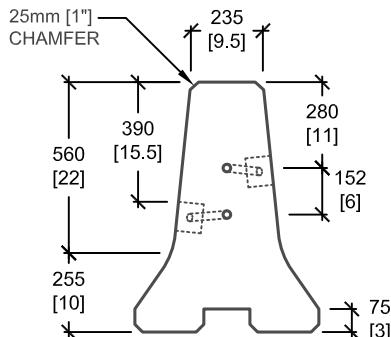


**PLAN VIEW**



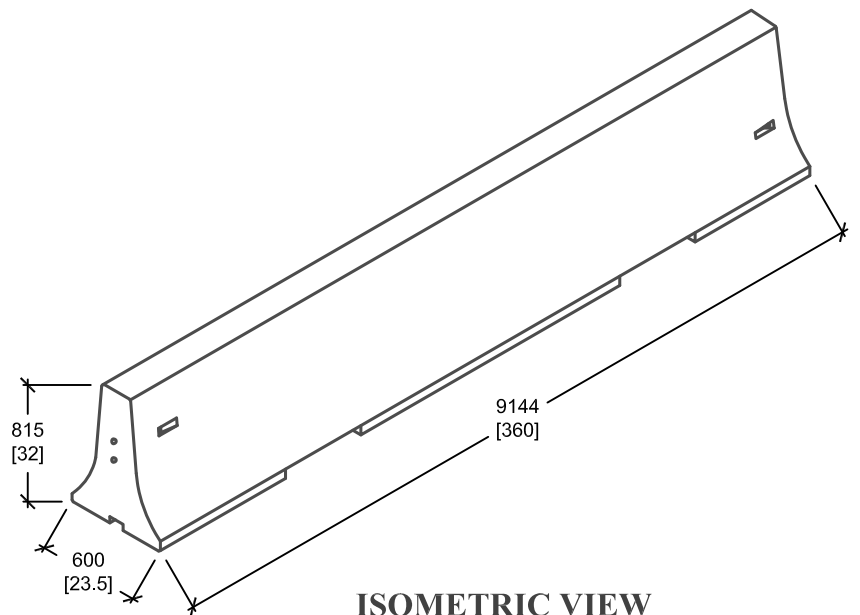
**CROSS SECTION 'B'**

N.T.S.



**CROSS SECTION 'C'**

N.T.S.



**ISOMETRIC VIEW**

mm  
[Inches]  
ALL DIMENSIONS DEFAULT TO MILLIMETRES



**UTILITY STRUCTURES INC.**

61 BONGARD AVE | OTTAWA, ON | K2E 6V2  
T: 613.225.6398 F: 613.225.1681 TF: 800.267.6466

[www.utilitystructures.com](http://www.utilitystructures.com)

**CONSTRUCTION DETAILS:**

- AS PER **MTOD - 911.190**
- TYPE X CONCRETE BARRIER
- MTD - 911.191 CONNECTION ROD BY OTHERS

- CSA 23.4-05
- 35 MPa (5000psi) AT 28 DAYS
- STRIPPING STRENGTH: MIN. 20 MPa(2900psi)
- 5-8% AIR ENTRAINED
- EXPOSURE CLASS: C-1
- REINFORCING: STEEL TO CSA CAN A23.1

**PRODUCT CODE:**

**E-400X**

30' TYPE X CONCRETE BARRIER

**DIMENSIONS:**

**0.815m(H) X 9144mm(L)**

**TOTAL WEIGHT:**

**6,250 kg / 13,750 lbs**

**REVISION DATE:**

**NOVEMBER 27, 2015**

**REV. # 1**