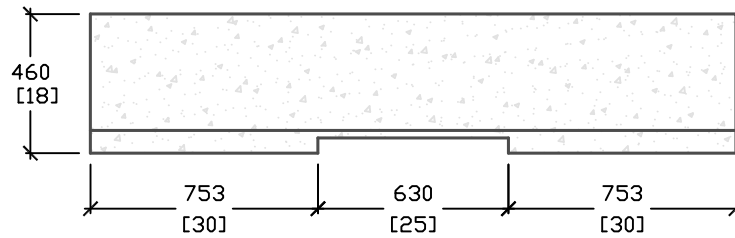
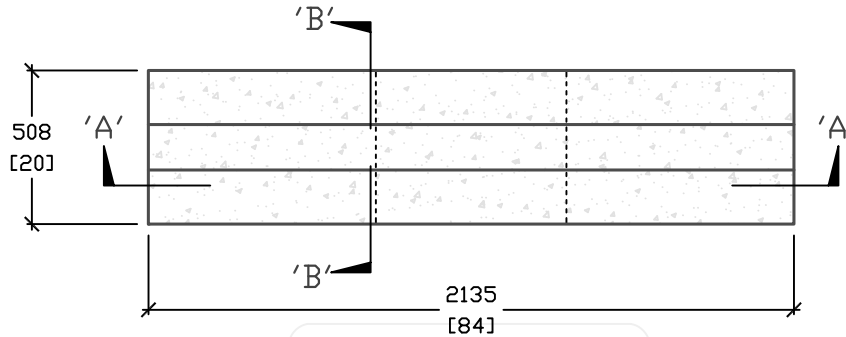


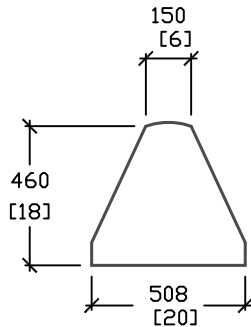
✱ AVAILABLE IN ANY LENGTH ✱



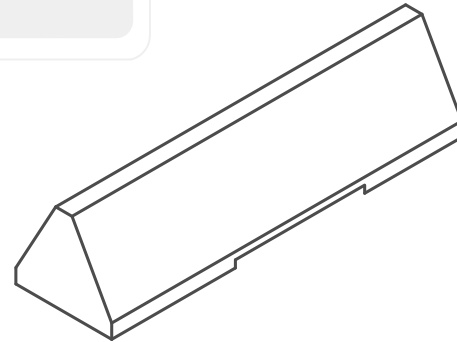
CROSS SECTION 'A'



PLAN VIEW



CROSS SECTION 'B'



ISOMETRIC VIEW

ALL DIMENSIONS DEFAULT TO MILLIMETERS

mm [in.]



61 BONGARD AVE
OTTAWA, ON,
PH: 800.267.6466
FAX: 613.225.1681

www.utilitystructures.com

NOTES:
AVAILABLE IN VARIOUS
LENGTHS, COLOURS, AND FINISHES
HOOK AND EYE CONNECTION AVAILABLE

*CSA 23.4-05
35MPa (5000psi) AT 28 DAYS
5-8% AIR ENTRAINED

REV.#	MM/DD/YYYY	PREP.
1	DEC/20/2008	EG

E-40 (7')

7' MINI BARRIER
WITH NO CONNECTIONS

WEIGHT = 800kg/1800lbs

460mm(H) x 2135mm(L)