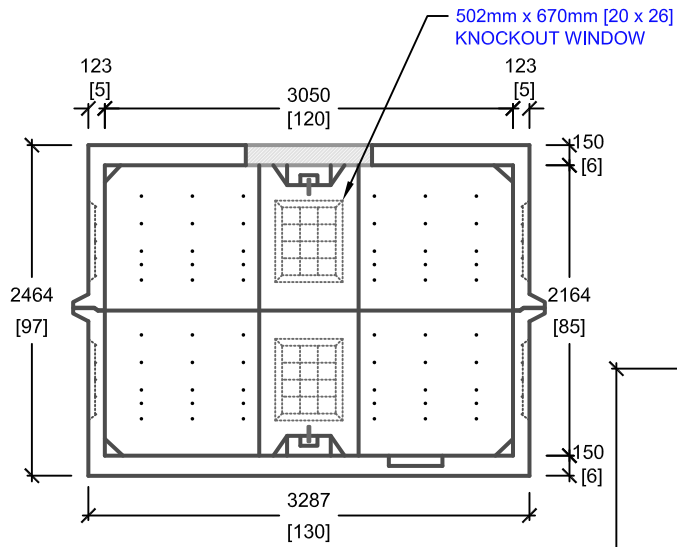
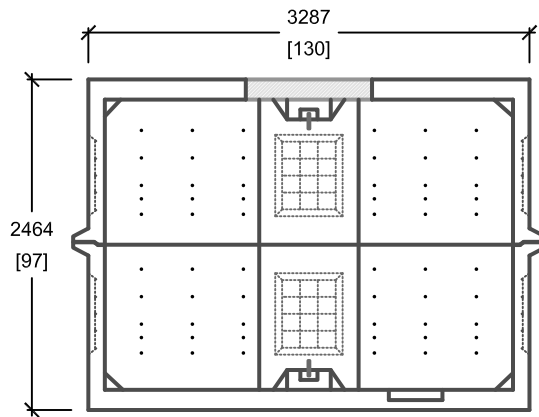


OPTIONS AVAILABLE UPON REQUEST:

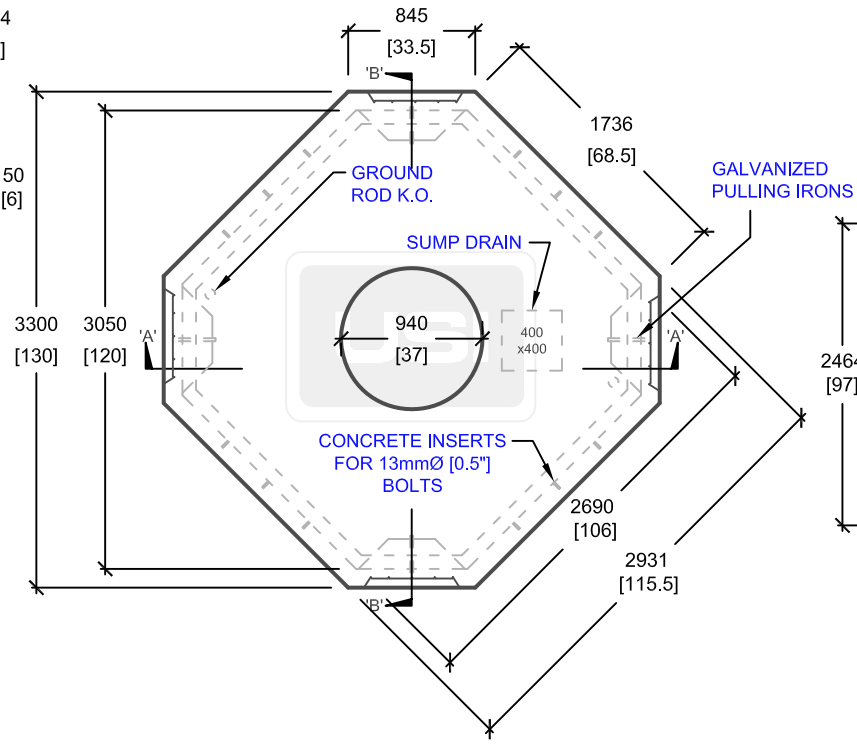
- PULLING EYES
- DUCT TERMINATORS
- CAST-IRON FRAME & COVER
- ALUMINUM OR STEEL HATCH
- CABLE RACKS
- CUSTOM KNOCKOUTS
- DRAIN OR SUMP BOX HOLE



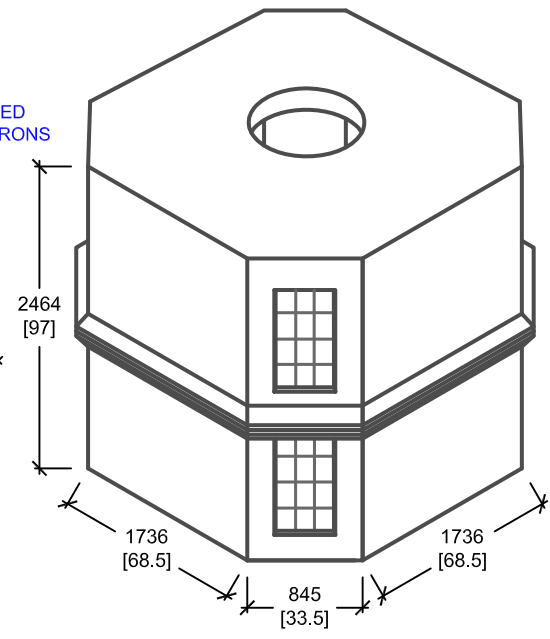
CROSS SECTION 'B'



CROSS SECTION 'A'



PLAN VIEW



ISOMETRIC VIEW

mm
[Inches]
ALL DIMENSIONS DEFAULT TO MILLIMETRES



UTILITY STRUCTURES INC.

61 BONGARD AVE | OTTAWA, ON | K2E 6V2
T: 613.225.6398 F: 613.225.1681 TF: 800.267.6466

www.utilitystructures.com

CONSTRUCTION DETAILS:

- AS PER **HYDRO OTTAWA UC0015**
- DESIGNED TO CL-625-ONT TRUCK LIVE LOADING AS PER **CSA S6-06**

• **CSA 23.4**

- 50 MPa (7252psi) AT 28 DAYS
- STRIPPING STRENGTH: MIN. 20 MPa(2900psi)
- 5-8% AIR ENTRAINED
- EXPOSURE CLASS: C-1
- REINFORCING: STEEL TO CSA CAN A23.1

PRODUCT DETAILS:

- (8) 502mm[20"] x 670mm[26"] KNOCKOUT WINDOWS

WEIGHT:

- TOP: 7,035 kg / 15,477 lbs
- BOTTOM: 7,515 kg / 16,533 lbs

CUSTOM OPTIONS AVAILABLE:

- CUSTOM WINDOWS, OPENINGS, CABLE RACKS, PULLING EYES & MANHOLE HEIGHT

PRODUCT CODE:

E-39

4-WAY ELECTRICAL MANHOLE

INSIDE DIMENSIONS:

2.16m(H) X 3050mm x 3050mm [I.D]

TOTAL WEIGHT:

14,550 kg / 32,000 lbs

REVISION DATE:

JANUARY 25, 2018

REV. # 7