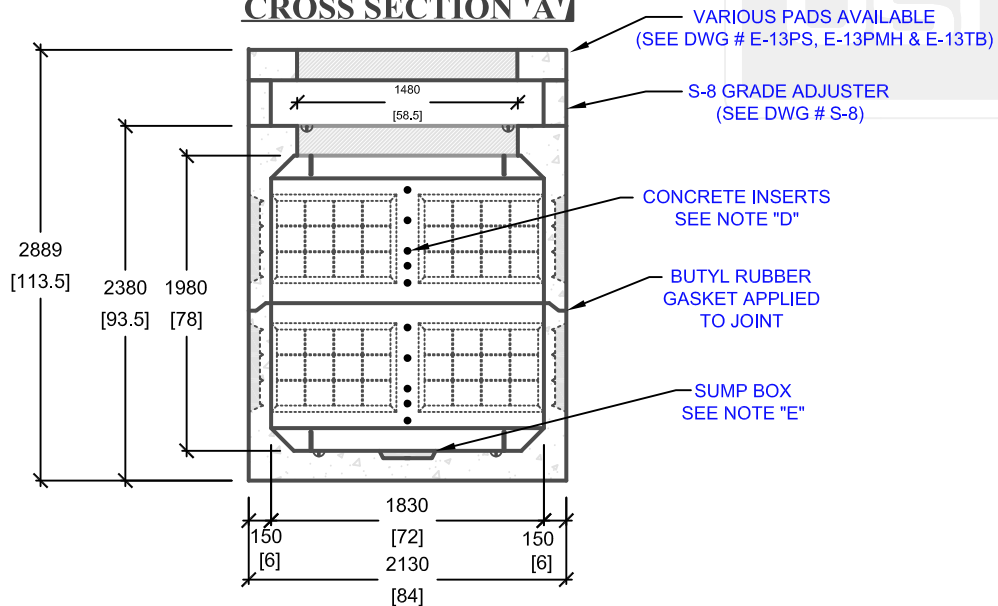
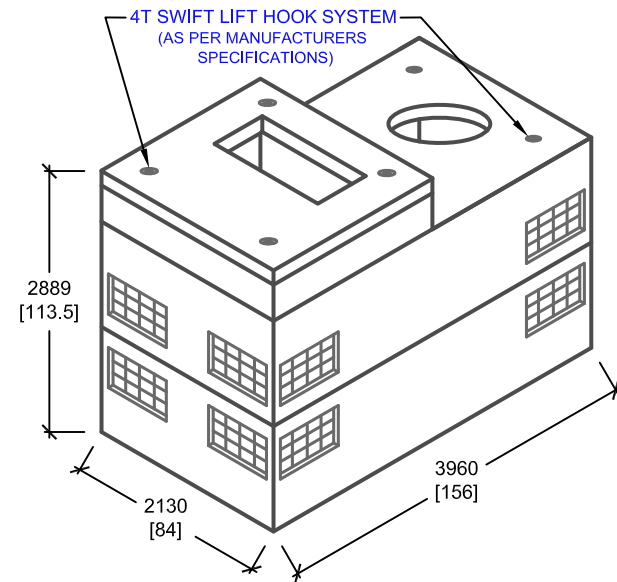


PLAN VIEW

CROSS SECTION 'A'



CROSS SECTION 'B'



ISOMETRIC VIEW

mm
[Inches]
ALL DIMENSIONS DEFAULT TO MILLIMETRES



UTILITY STRUCTURES INC.

61 BONGARD AVE | OTTAWA, ON | K2E 6V2
T: 613.225.6398 F: 613.225.1681 TF: 800.267.6466

www.utilitystructures.com

CONSTRUCTION DETAILS:

- REFERENCE **HYDRO OTTAWA UCS0025 - REV# 15**
- DESIGNED TO CL-625-ONT TRUCK LIVE LOADING AS PER CSA S6-06

• **CSA 23.4-05**

- 35 MPa (5000psi) AT 28 DAYS
- STRIPPING STRENGTH: MIN. 20 MPa(2900psi)
- 5-8% AIR ENTRAINED
- EXPOSURE CLASS: C-1
- REINFORCING: STEEL TO CSA CAN A23.1

PRODUCT DETAILS:

- A. (16) 510mm[20"]x760mm[30"] KNOCKOUT WINDOWS
- B. (6) GALVANIZED PULLING IRONS
- C. (4) 32mm[1½"] LEL-DH INSERTS SPACED AT 300mm[12"] CENTRE ON CENTRE
- D. (80) 13mm[½"] CONCRETE INSERTS
- E. (1) 400mm[16"]x400mm[16"] SUMP BOX
* MANHOLE HEIGHT IS 100mm[4"] TALLER THAN HYDRO OTTAWA STANDARD
- WEIGHT:**
 - TOP: 6,650 kg / 14,630 lbs
 - BOTTOM: 7,200 kg / 15,840 lbs

PRODUCT CODE:

E-37

6' X 12' ELECTRICAL SWITCHING MANHOLE

INSIDE DIMENSIONS:

1.98m(H) X 1830mm x 3660mm

TOTAL WEIGHT:

16,700 kg / 36,740 lbs

REVISION DATE:

FEBRUARY 14, 2017

REV. # 8