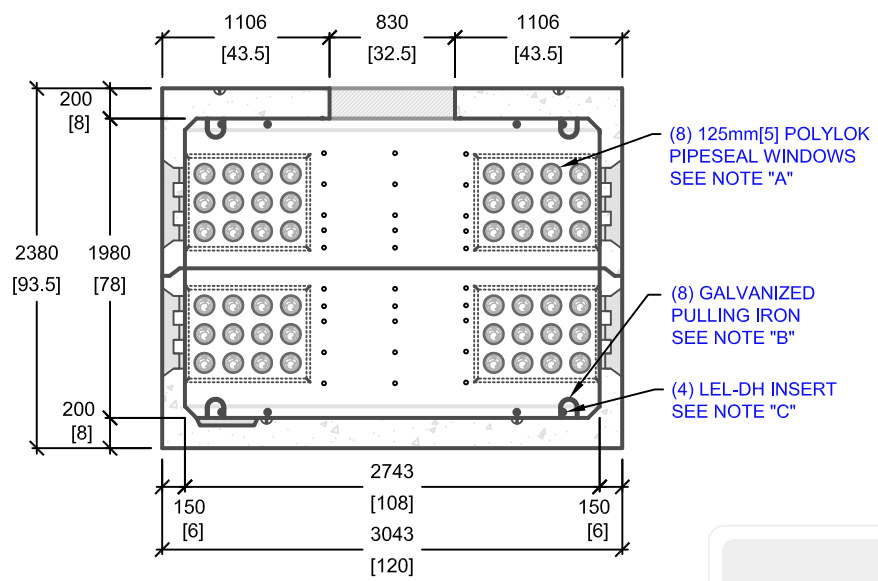
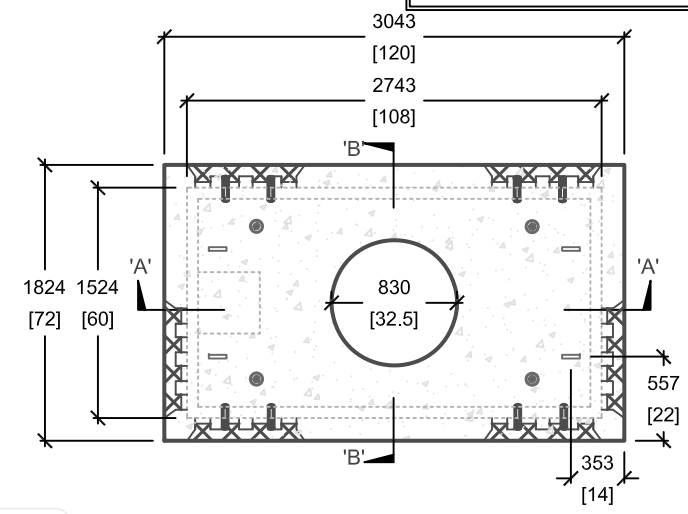


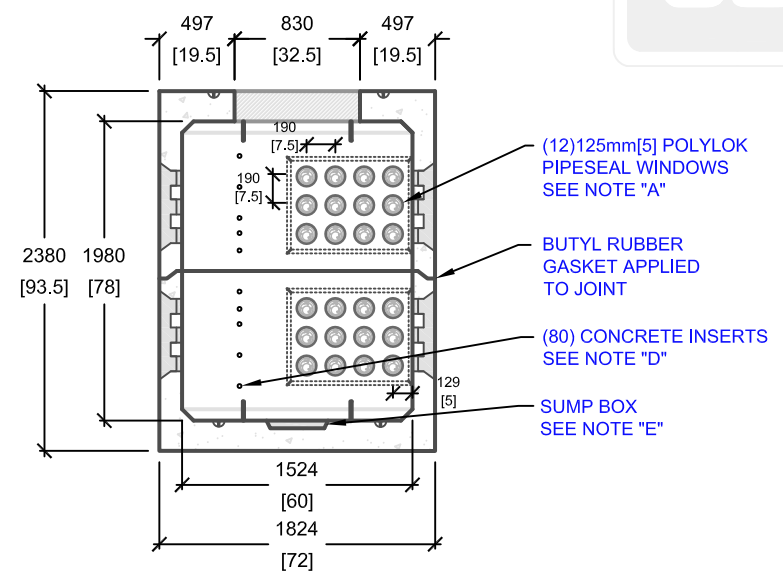
5' x 9' O.D. COMMUNICATION MANHOLE



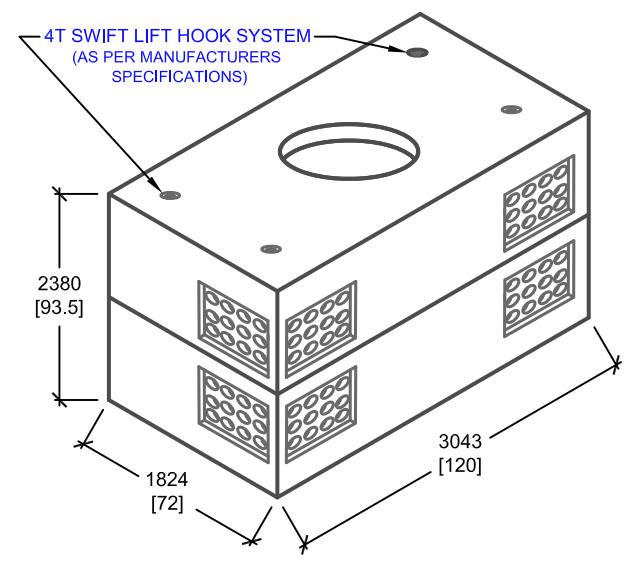
CROSS SECTION 'A'



PLAN VIEW



CROSS SECTION 'B'



ISOMETRIC VIEW

mm [Inches]
ALL DIMENSIONS DEFAULT TO MILLIMETRES



UTILITY STRUCTURES INC.
61 BONGARD AVE | OTTAWA, ON | K2E 6V2
T: 613.225.6398 F: 613.225.1681 TF: 800.267.6466
www.utilitystructures.com

CONSTRUCTION DETAILS:

- DESIGNED TO CL-625-ONT TRUCK LIVE LOADING AS PER **CSA S6-06**
- CSA 23.4-05**
 - 35 MPa (5000psi) AT 28 DAYS
 - STRIPPING STRENGTH: MIN. 20 MPa(2900psi)
 - 5-8% AIR ENTRAINMENT
 - EXPOSURE CLASS: C-1
- REINFORCING: STEEL TO CSA CAN A23.1

PRODUCT DETAILS:

- A. (12) 125mm[5"] POLYLOK PIPESEAL WINDOWS
- B. (8) GALVANIZED PULLING IRONS
- C. (4) 32mm[1 1/4"] LEL-DH INSERTS SPACED AT 300mm[12"] CENTRE ON CENTRE
- D. (80) 13mm[1/2"] CONCRETE INSERTS
- E. (1) 400mm[16"]x400mm[16"] SUMP BOX

WEIGHT:

- TOP: 6,000 kg / 13,200 lbs
- BOTTOM: 6,200 kg / 13,640 lbs

PRODUCT CODE:
E-35-COMM
5' X 9' COMMUNICATION MANHOLE

INSIDE DIMENSIONS:
2.38m(H) X 1524mm x 2743mm

TOTAL WEIGHT:
12,200 kg / 26,840lbs

REVISION DATE: JANUARY 25, 2018 **REV. # 13**