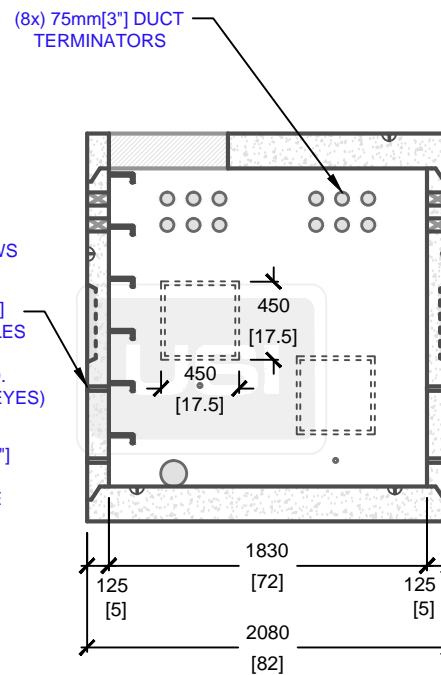
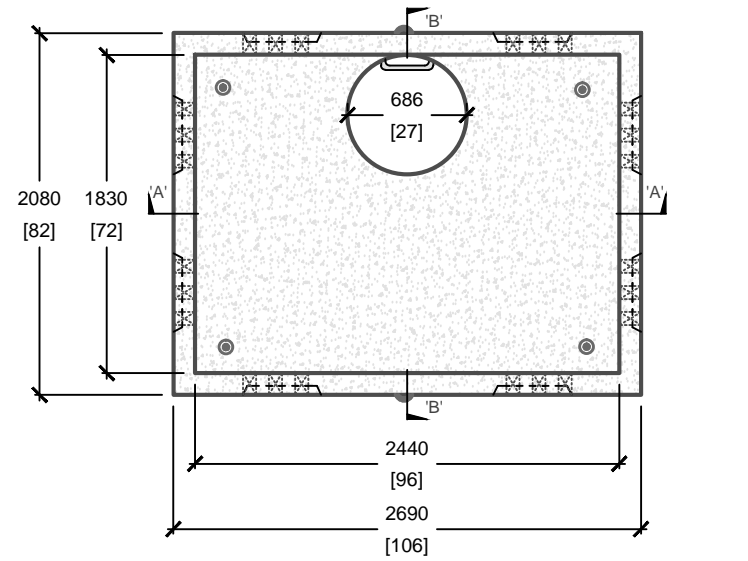


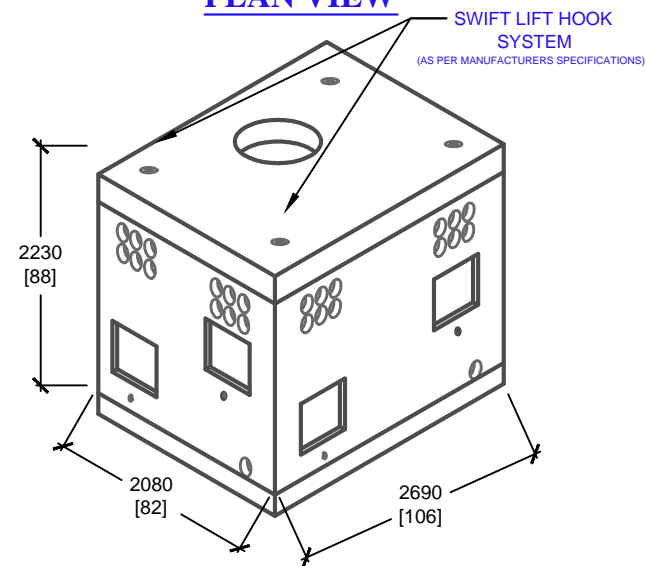
CROSS SECTION 'A'



CROSS SECTION 'B'



PLAN VIEW



ISOMETRIC VIEW

mm
[Inches]
ALL DIMENSIONS DEFAULT TO MILLIMETRES



UTILITY STRUCTURES INC.

61 BONGARD AVE | OTTAWA, ON | K2E 6V2
T: 613.225.6398 F: 613.225.1681 TF: 800.267.6466

www.utilitystructures.com

CONSTRUCTION DETAILS:

- AS PER **OPSD 2111.05**
- DESIGNED TO CL-625-ONT TRUCK LIVE LOADING AS PER **CSA S6-06**

• **CSA 23.4-05**

- 35 MPa (5000psi) AT 28 DAYS
- STRIPPING STRENGTH: MIN. 20 MPa(2900psi)
- 5-8% AIR ENTRAINED
- EXPOSURE CLASS: F-1
- REINFORCING: STEEL TO CSA CAN A23.1

PRODUCT DETAILS:

- (8) 450mm[18"]x450mm[18"] KNOCKOUT WINDOWS
- (8) WINDOWS WITH (6) 75mm[3"] DUCT TERMINATORS PER WINDOW
- (4) 150mm[6"] KNOCKOUT DRAIN HOLES
- (8) 25mm[1"] GROUND HOLES (FOR PULLING EYES)

WEIGHT:

- TOP SLAB: 2,860 kg / 6,300 lbs
- SPACER: 4,500 kg / 9,900 lbs
- BASE SLAB: 3,040 kg / 6,700 lbs

PRODUCT CODE:

E-25
OPSD MANHOLE

INSIDE DIMENSIONS:

2.23m(H) X 1830mm x 2440mm

TOTAL WEIGHT:

10,400 kg / 22,880 lbs

REVISION DATE:

SEPTEMBER 19, 2017

REV. # 9