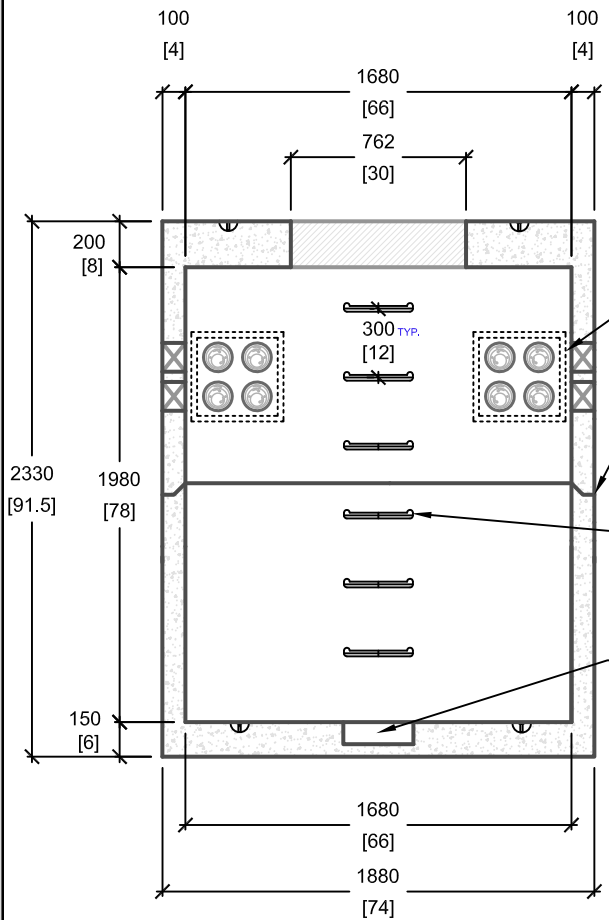
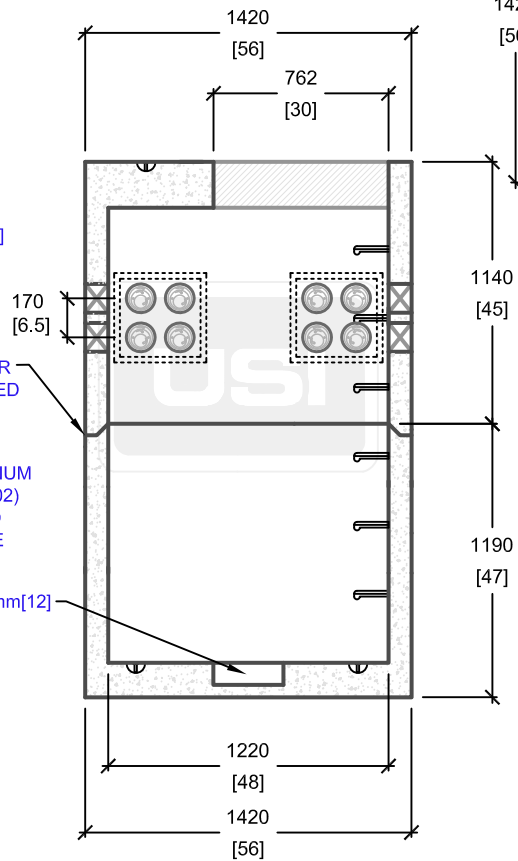


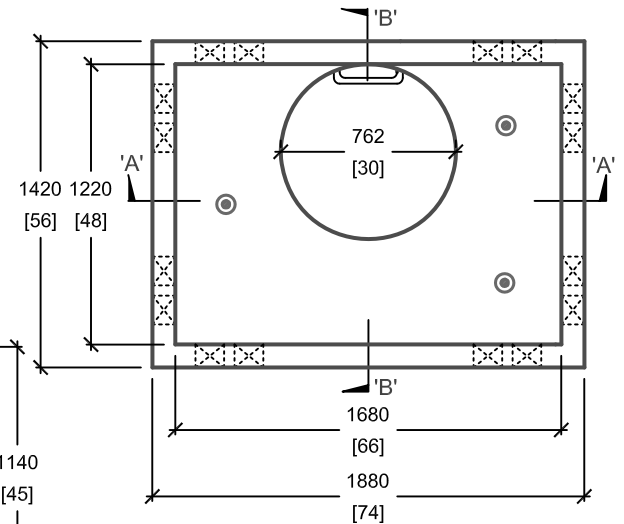
4.5' x 6' O.D. COMMUNICATION MANHOLE



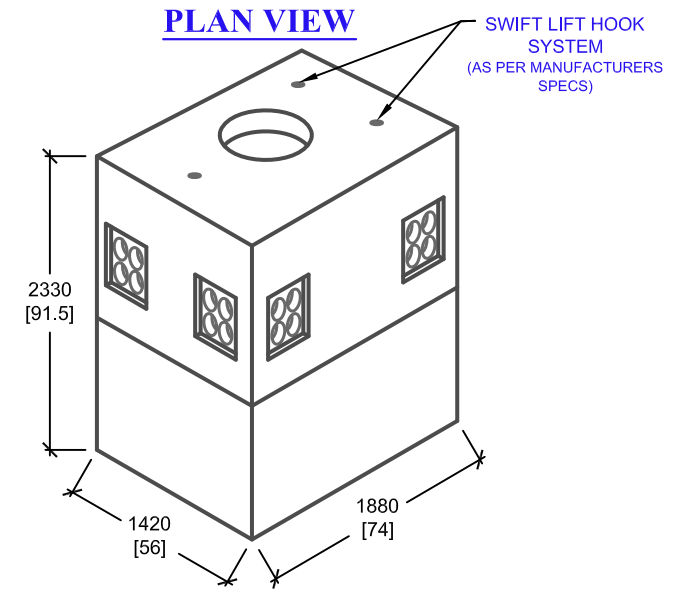
CROSS SECTION 'A'



CROSS SECTION 'B'



PLAN VIEW



ISOMETRIC VIEW

mm
[Inches]
ALL DIMENSIONS DEFAULT TO MILLIMETRES



UTILITY STRUCTURES INC.

61 BONGARD AVE | OTTAWA, ON | K2E 6V2
T: 613.225.6398 F: 613.225.1681 TF: 800.267.6466

www.utilitystructures.com

CONSTRUCTION DETAILS:

- SIMILAR TO **OPSD 2111.04**
- DESIGNED TO CL-625-ONT TRUCK LIVE LOADING AS PER CSA S6-06
- **CSA 23.4-05**
- 35 MPa (5000psi) AT 28 DAYS
- STRIPPING STRENGTH: MIN. 20 MPa(2900psi)
- 5-8% AIR ENTRAINED
- EXPOSURE CLASS: C-1
- REINFORCING: STEEL TO CSA CAN A23.1

PRODUCT DETAILS:

- (6) 450mm[18"]x450mm[18"] KNOCKOUT WINDOWS
- (8) WINDOWS WITH (4) 127mm[5"] POLYLOK PIPESEALS PER WINDOW
- (1) 305mm[12"] x 305mm[12"] SUMP BOX
- WEIGHT:**
- TOP: 2,500 kg / 5,500 lbs
- BOTTOM: 2,700 kg / 5,950 lbs

PRODUCT CODE:

E-24-COMM
COMMUNICATION MANHOLE

INSIDE DIMENSIONS:

2.33m(H) X 1220mm x 1680mm

TOTAL WEIGHT:

5,200 kg / 11,450lbs

REVISION DATE:

AUGUST 9, 2018

REV. # 1