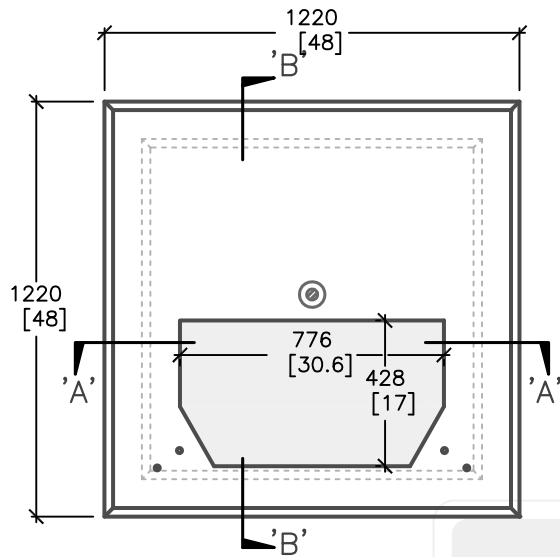
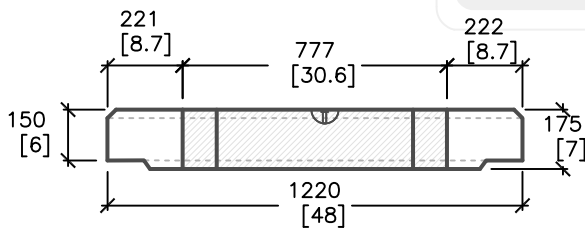


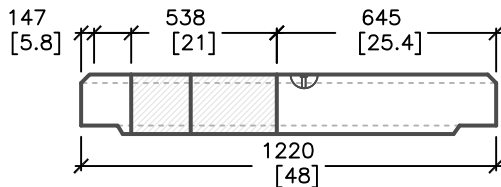
LOAD REQUIREMENTS	
DISTRIBUTED LATERAL LOAD	25kN/m
TOP SLAB DISTRIBUTED LOAD	60kN/m
TOP SLAB POINT LOAD	70kN/m



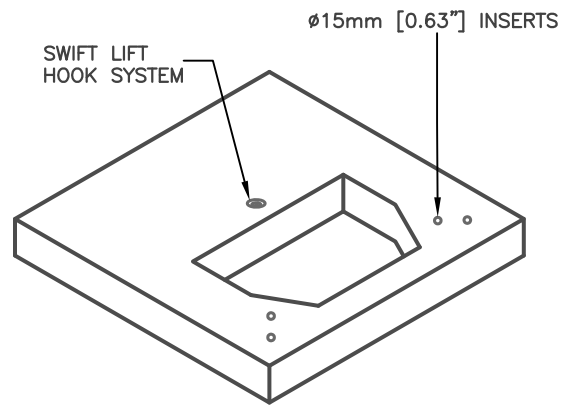
PLAN VIEW



CROSS SECTION 'A'



CROSS SECTION 'B'



ISOMETRIC VIEW

ALL DIMENSIONS DEFAULT TO MILLIMETERS

mm
[in.]



61 BONGARD AVE
OTTAWA, ON,
PH: 800.267.6466
FAX: 613.225.1681

NOTES:
AS PER HYDRO OTTAWA UCS0003
25kVA TO 167kVA
USE WITH BASE E1

*CSA 23.4-05
35MPa (5000psi) AT 28 DAYS
6-8% AIR ENTRAINED

E-2

SINGLE PHASE TRANSFORMER
PAD

WEIGHT = 420kg/900lbs

www.utilitystructures.com

REV.#	MM/DD/YYYY	PREP.
3	NOV/21/2013	EG

1220mm x 1220mm [O.D.]