

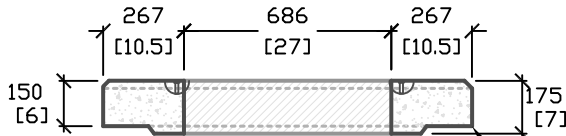
4' x 4' O.D. COMMUNICATION MANHOLE

OPTIONS AVAILABLE:

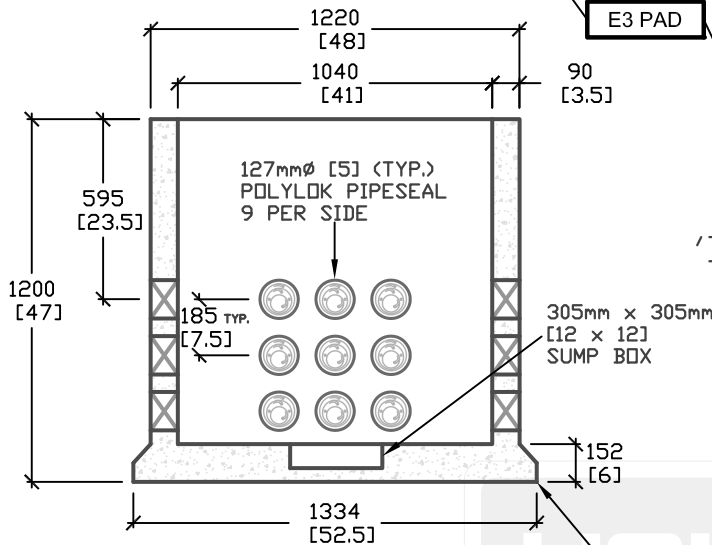
- PULLING EYES
- CABLE RACKS
- CUSTOM OPENINGS

WEIGHT:

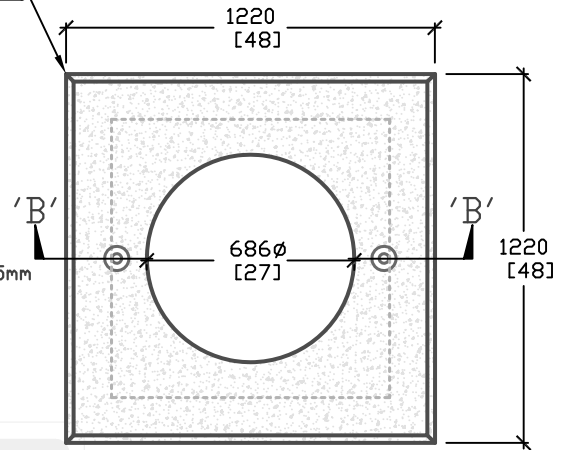
- E1B: 1400kg
- E3: 420kg



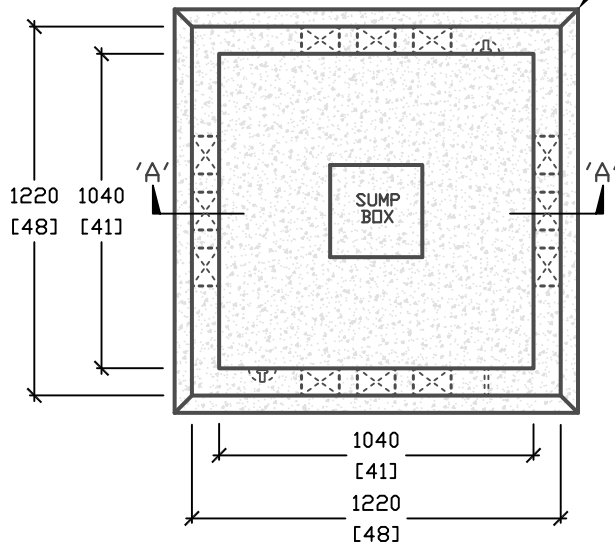
CROSS SECTION 'B'



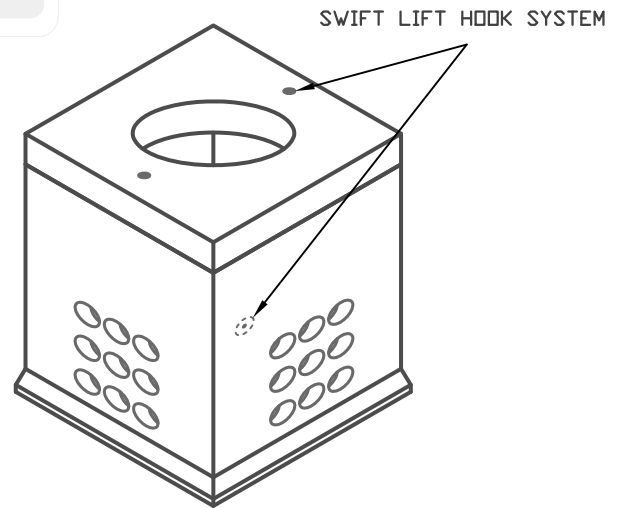
CROSS SECTION 'A'



**PLAN VIEW
(E3 PAD)**



**PLAN VIEW
(E1B BASE)**



ISOMETRIC VIEW

ALL DIMENSIONS DEFAULT TO MILLIMETERS

mm
[in.]



61 BONGARD AVE
OTTAWA, ON,
PH: 800.267.6466
FAX: 613.225.1681

E1B BASE & E3 PAD
DESIGNED TO CL-625-ONT TRUCK
LIVE LOADING AS PER CSA S6-06

*CSA 23.4-05
35MPa (5000psi) AT 28 DAYS
6-8% AIR ENTRAINED

E1B^c / E3^w

COMMUNICATION MANHOLE

TOTAL WEIGHT = 1820kg

www.utilitystructures.com

REV.#	MM/DD/YYYY	PREP.
3	OCT/16/2012	EG
4	OCT/04/2013	EG

1.35m(H)x1040mmx1040mm (I.D.)