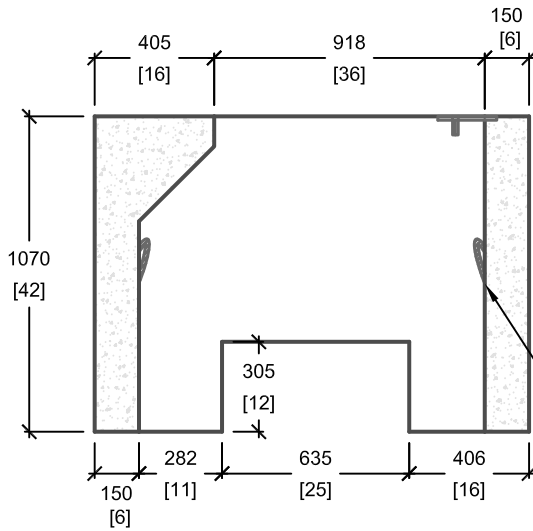
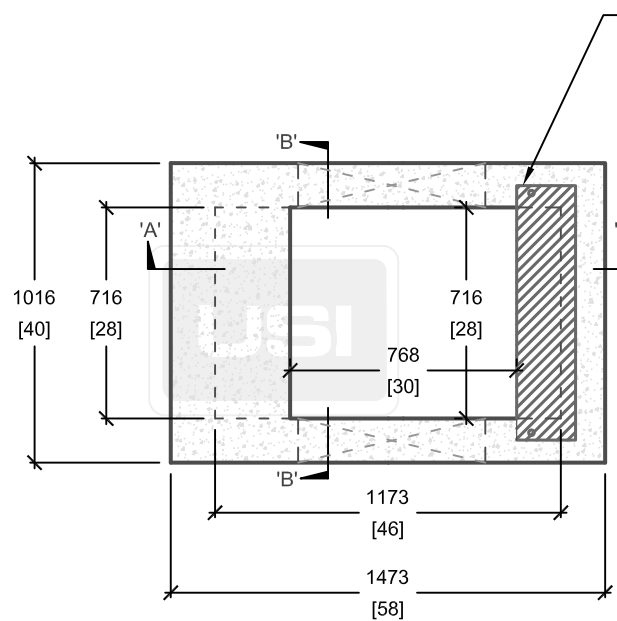


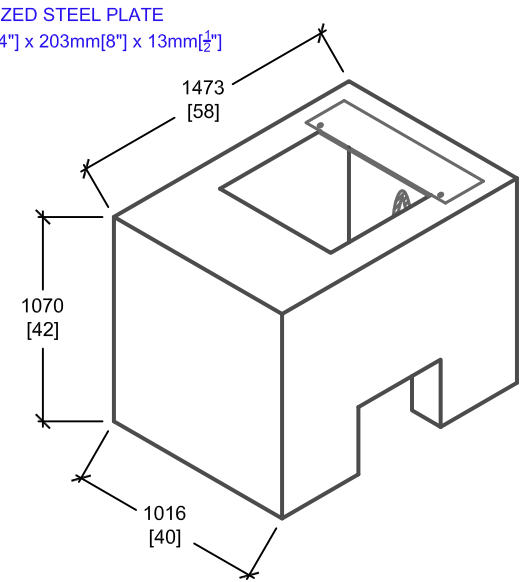
CROSS SECTION 'B'



CROSS SECTION 'A'



PLAN VIEW



ISOMETRIC VIEW

LIFTING CABLES
(INSTALLED AS PER MANUFACTURERS
SPECIFICATIONS)

mm
[Inches]
ALL DIMENSIONS DEFAULT TO MILLIMETRES



UTILITY STRUCTURES INC.

61 BONGARD AVE | OTTAWA, ON | K2E 6V2
T: 613.225.6398 F: 613.225.1681 TF: 800.267.6466

www.utilitystructures.com

CONSTRUCTION DETAILS:

- REFERENCE **HYDRO ONE ED19U-141 / TD23130B01 [OLD SPEC.]**
- **CSA 23.4-05**
- 35 MPa (5000psi) AT 28 DAYS
- STRIPPING STRENGTH: MIN. 20 MPa(2900psi)
- 5-8% AIR ENTRAINED
- EXPOSURE CLASS: C-1
- REINFORCING: STEEL TO CSA CAN A23.1

PRODUCT DETAILS:

- (2) 305mm[12"] x 635mm[25"] CABLE OPENINGS
- 864mm[34"] x 203mm[8"] x 13mm[1/2"] GALVANIZED STEEL PLATE
- SINGLE PHASE BASE 25kVA TO 167kVA

PRODUCT CODE:

E-15

SINGLE PHASE TRANSFORMER BASE

OUTSIDE DIMENSIONS:

1.07m(H) x 1016mm x 1473mm

TOTAL WEIGHT:

1,600 kg / 3,500 lbs

REVISION DATE:

SEPTEMBER 18, 2017

REV. # 6