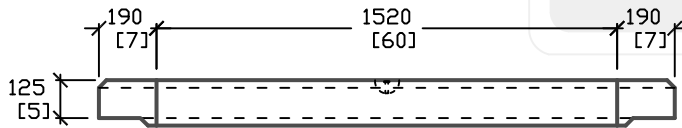
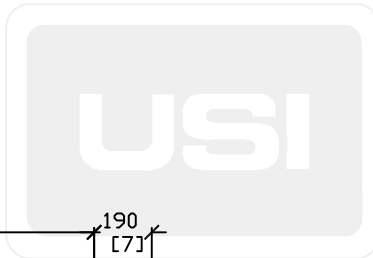
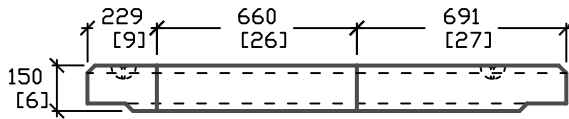


PLAN VIEW

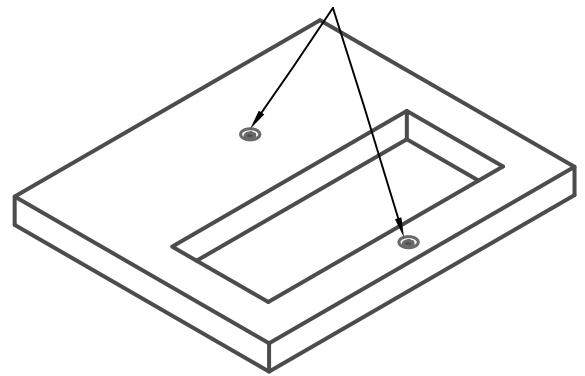


CROSS SECTION 'A'



CROSS SECTION 'B'

SWIFT LIFT HOOK SYSTEM



ISOMETRIC VIEW

ALL DIMENSIONS DEFAULT TO MILLIMETERS

mm
[in.]



61 BONGARD AVE
OTTAWA, ON,
PH: 800.267.6466
FAX: 613.225.1681

www.utilitystructures.com

NOTES:

AS PER HYDRO ONE (ONTARIO)
TD21968C00/DL21968C01 (SF6/4-WAY)
USE WITH BASE E14

*CSA 23.4-05
35MPa (5000psi) AT 28 DAYS
6-8% AIR ENTRAINED

| REV.# | MM/DD/YYYY | PREP. |
|-------|-------------|-------|
| 1 | AUG/08/2008 | LRW |
| 2 | FEB/25/2009 | LRW |

E-14A

THREE PHASE
TRANSFORMER PAD

WEIGHT = 1135kg/2500lbs

1580mm x 1900mm [O.D.]