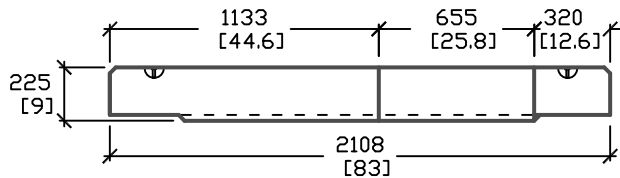


PLAN VIEW

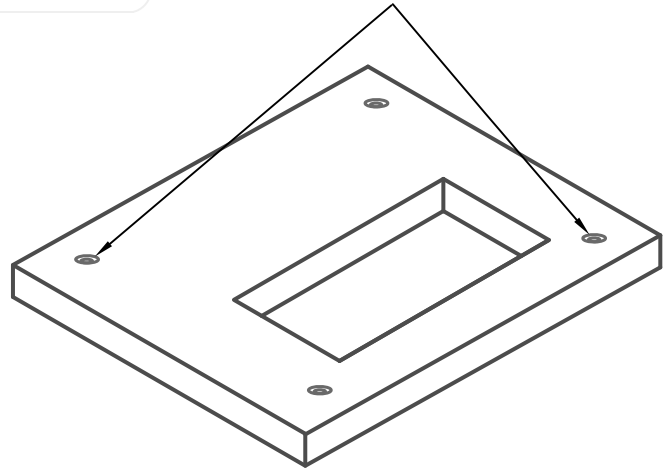


CROSS SECTION 'A'



CROSS SECTION 'B'

SWIFT LIFT HOOK SYSTEM



ISOMETRIC VIEW

ALL DIMENSIONS DEFAULT TO MILLIMETERS

mm [in.]



61 BONGARD AVE
OTTAWA, ON,
PH: 800.267.6466
FAX: 613.225.1681

www.utilitystructures.com

NOTES:

USE WITH E-13 (BASE)
AS PER HYDRO ONE (ONTARIO)
THREE PHASE/FIVE WAY (SF6)

*CSA 23.4-05
35MPa (5000psi) AT 28 DAYS
6-8% AIR ENTRAINED

REV.#	MM/DD/YYYY	PREP.
1	AUG/08/2008	LRW
2	FEB/24/2009	LRW

E-13HON
OVERSIZED SWITCHGEAR
PAD

WEIGHT = 2235kg/4927lbs

2108mm x 2438mm [O.D.]