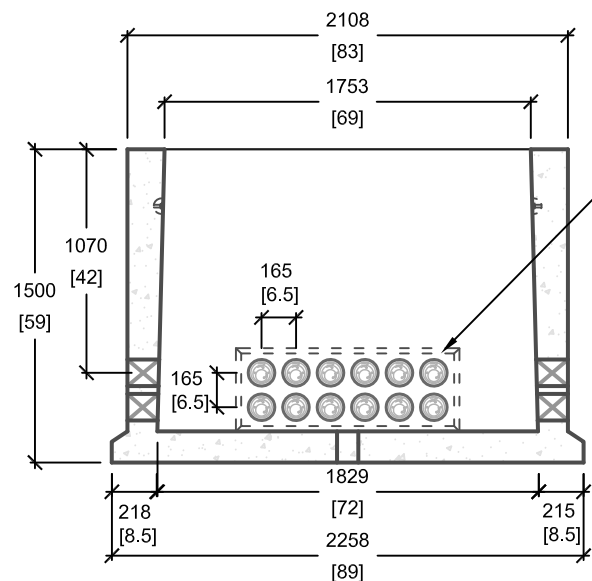
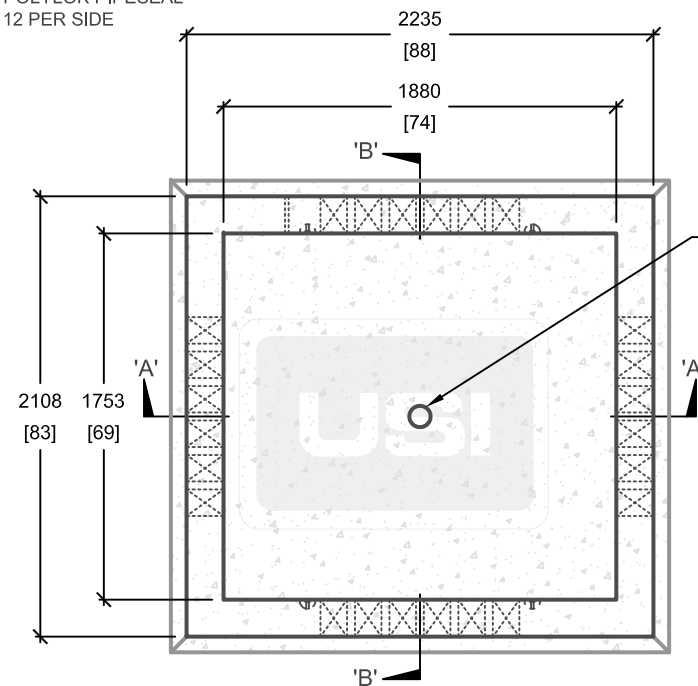


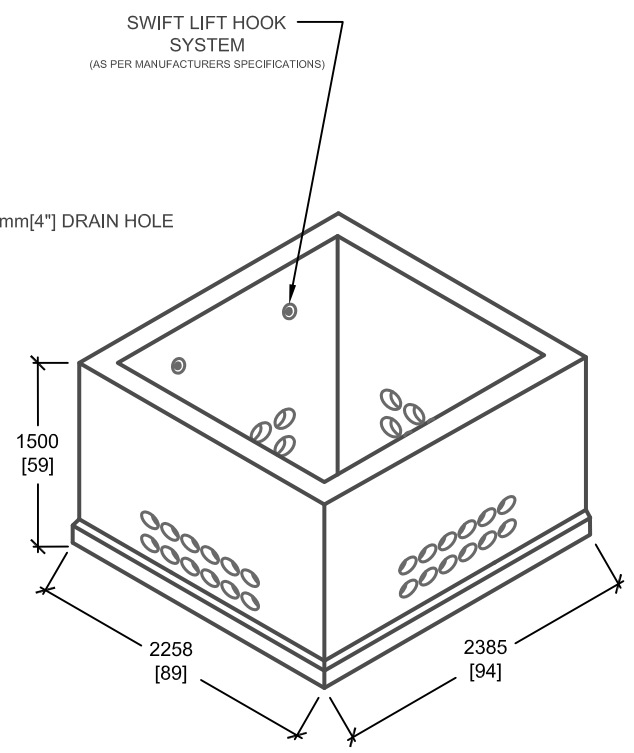
LOAD REQUIREMENTS	
DISTRIBUTED LATERAL LOAD	25 kN/m ²
TOP SLAB DISTRIBUTED LOAD	60 kN/m ²
TOP SLAB POINT LOAD	70 kN



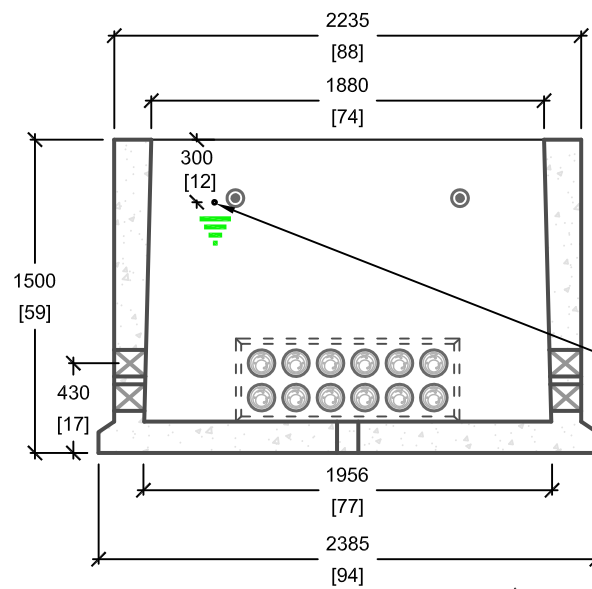
CROSS SECTION 'B'



PLAN VIEW



ISOMETRIC VIEW



CROSS SECTION 'A'

mm
[Inches]
ALL DIMENSIONS DEFAULT TO MILLIMETRES

- NOTES:**
- SOIL BEARING CAPACITY TO BE MIN. 240kPa (SLS) OR USE A CONCRETE BASE PAD; VERIFY ON SITE.
 - SEISMIC ANCHORAGE FROM EQUIPMENT TO PAD AND PAD TO BASE TO BE PROVIDED BY OTHERS.
 - BACK FILL WITH NON-FROST SUSCEPTIBLE FILL TO PREVENT UPLIFT OF TOP SLAB.



UTILITY STRUCTURES INC.
61 BONGARD AVE | OTTAWA, ON | K2E 6V2
T: 613.225.6398 F: 613.225.1681 TF: 800.267.6466
www.utilitystructures.com

- CONSTRUCTION DETAILS:**
- REFERENCE [HYDRO ONE DU-09-404](#)
 - CSA A23.1
 - 35 MPa (5000psi) AT 28 DAYS
 - STRIPPING STRENGTH: MIN. 20 MPa(2900psi)
 - 5-8% AIR ENTRAINED
 - EXPOSURE CLASS: C-1
 - REINFORCING: STEEL TO CSA G30.18

- PRODUCT DETAILS:**
- (4) 127mm[5"] POLYLOK PIPESEAL WINDOWS (12 POLYLOKS PER WINDOW)
 - SWITCHGEAR TRANSFORMER BASE
 - OPEN BOTTOM VERSION AVAILABLE (DWG# E-13-ONT)
 - USE WITH [E-13 \(404\) SWITCHGEAR PAD](#)
 - CUSTOM OPTIONS AVAILABLE:
 - CUSTOM WINDOWS & OPENINGS

PRODUCT CODE:	
E-13B-ONT CLOSED BOTTOMSWITCHGEAR TRANSFORMER BASE	
OUTSIDE DIMENSIONS:	
1.5m(H) X 2108mm x 2235mm	
TOTAL WEIGHT:	
6,400 kg / 14,080 lbs	
REVISION DATE:	MAY 5, 2016
REV. #	1