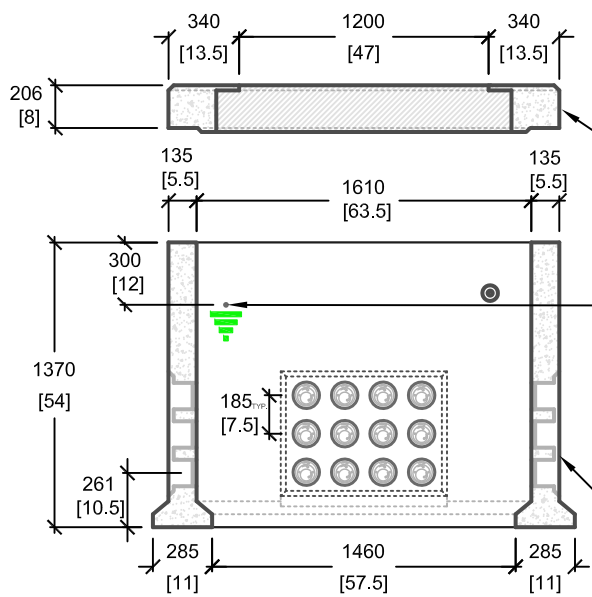
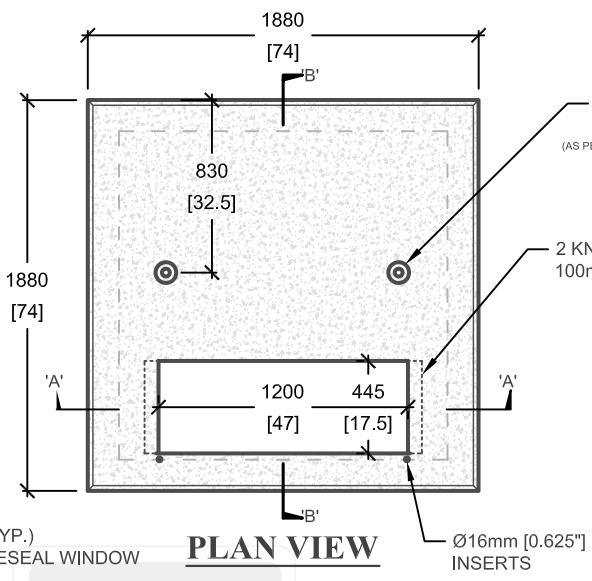


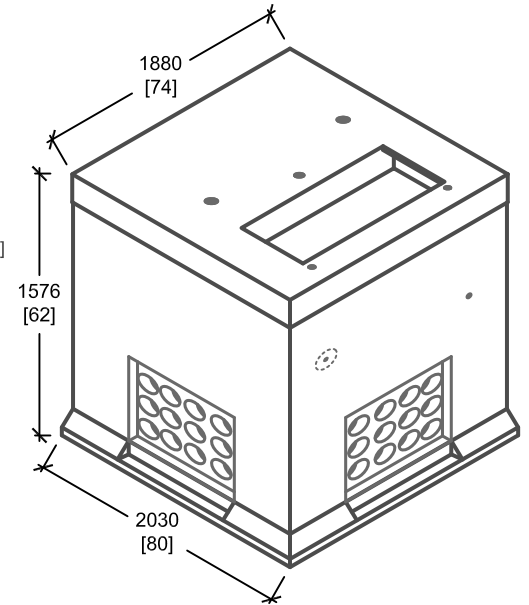
LOAD REQUIREMENTS	
DISTRIBUTED LATERAL LOAD	25 kN/m ²
TOP SLAB DISTRIBUTED LOAD	60 kN/m ²
TOP SLAB POINT LOAD	70 kN



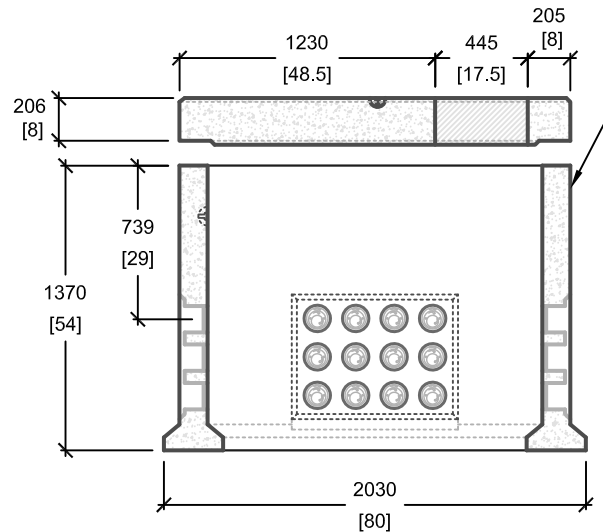
CROSS SECTION 'A'



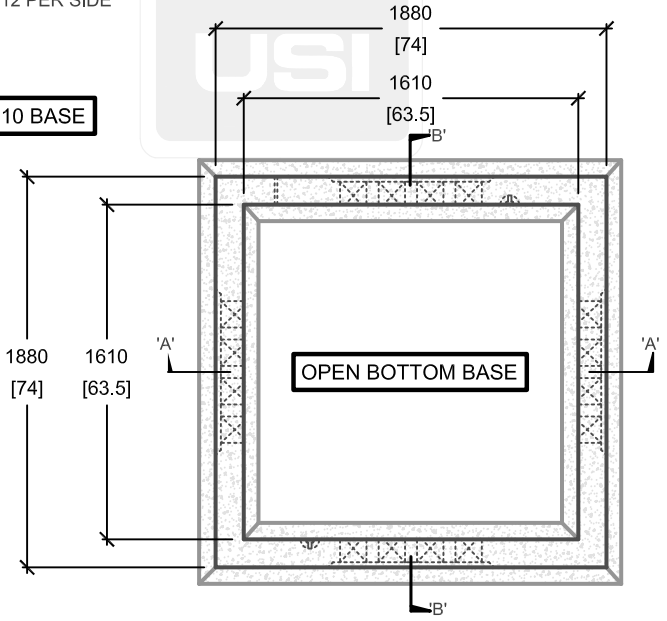
PLAN VIEW



ISOMETRIC VIEW



CROSS SECTION 'B'



PLAN VIEW

NOTES:
 • SOIL BEARING CAPACITY TO BE MIN. 130 kPa (SLS); VERIFY ON SITE.
 • TRANSFORMER ANCHORAGE FROM E-10 BASE TO E-11 PAD TO BE PROVIDED BY OTHERS.

mm [Inches]
 ALL DIMENSIONS DEFAULT TO MILLIMETRES



UTILITY STRUCTURES INC.
 61 BONGARD AVE | OTTAWA, ON | K2E 6V2
 T: 613.225.6398 F: 613.225.1681 TF: 800.267.6466
www.utilitystructures.com

- CONSTRUCTION DETAILS:**
- REFERENCE **HYDRO OTTAWA UCS0001**
 - REFERENCE **HYDRO ONE DU-09-202**
 - **E-10 BASE AND E-11 PAD ASSEMBLED**
- **CSA 23.4-05**
- 35 MPa (5000psi) AT 28 DAYS
 - STRIPPING STRENGTH: MIN. 20 MPa(2900psi)
 - 5-8% AIR ENTRAINMENT
 - EXPOSURE CLASS: C-1
 - REINFORCING: STEEL TO CSA CAN A23.1

- PRODUCT DETAILS:**
- E-10 BASE**
- (4) 127mm[5"] POLYLOK PIPESEAL WINDOWS (12 POLYLOKS PER WINDOW)
 - THREE PHASE BASE 150kVA TO 2500kVA
 - CLOSED BOTTOM KINGSTON UTILITIES VERSION AVAILABLE(DWG# E-10B)
- E-11 PAD**
- (2) 16mm[0.625"] INSERTS
 - MULTI-PURPOSE PAD OPENING:
 - 445mm[17.5"] x 1200mm[48"]
 - 445mm[17.5"] x 1400mm[55"]
 - KNOCKOUT IS NOT STRUCTURAL AND CANNOT TAKE ANY LOAD
 - CUSTOM OPTIONS AVAILABLE

PRODUCT CODE:	
E-10^C / E-11_W	
THREE PHASE TRANSFORMER BASE & PAD	
OUTSIDE DIMENSIONS:	
1.58m(H) X 1880mm x 1880mm	
TOTAL WEIGHT:	
4,250 kg / 9,350 lbs	
REVISION DATE:	MARCH 2, 2016
REV. #	4